

Product Card



Eco Line Terrace Doors

➤ FSC® (FSC® C003983)



Eco Line
Triple glazing unit - inner view



Eco Line
Triple glazing unit - outer view



Eco Line Alu
Triple glazing unit - inner view



Eco Line Alu
Triple glazing unit - outer view



Water tightness = Class E900



Overall U-value = 0,86 W/m²K



Air permeability = Class 4



Resistance to wind load = Class C4



Eco Line

Product Sliding terrace doors are dedicated to the Scandinavian market, characterized by the design in which the active sash moves on the outer rail of the threshold.

Construction

Wooden frame Scandinavian construction made of glued laminated in length and in thickness solid timber. Can be made in wooden version as well as in wooden with aluminium clad outside. Wooden frame thickness 174mm, with aluminium clad 184mm.

Material Timber types: pine, heartwood pine and oak. Our windows are made of wood – a natural material of the best quality. The material is carefully selected and dried. Upon request, we put the FSC® (FSC®C0038983) logo on the products made of pine to confirm that the wood is traceable to a sustainably managed forest.

Aluminium cladding Aluminium clad from outside attached to the window frame with special clips, allowing to create the ventilation gap between the timber surface and the aluminium cover. Aluminium cladding is powder coated.

Glazing Energy-saving triple unit (4TP/16Ar/4/16Ar/4TP) with low-emission glass and argon filled space between glass panes. Other possible glazing units: safety laminated, anti-burglar, toughened; solar control or acoustic.

- Coefficient of double glazing - $U_g=1,1 \text{ W/(m}^2\text{K)}$ – unit thickness 24mm
- Coefficient of triple glazing unit $U_g=0,6 \text{ W/(m}^2\text{K)}$ – unit thickness 44mm

Parameters Thermal transmittance coefficient U_w :

- Reference window with triple glazing $U_w=0,86 \text{ W/m}^2\text{K}$.
- Possible range of acoustic parameter $R_w=32-40\text{dB}$ (depending on the glazing unit)

Finish

Paint

- 3 layers water based paints – RAL palette colours
- 4 layers transparent colours with visible wood structure

Pine



Oak



Aluminium cladding Powder coated in RAL colours + AKZO NOBEL Interpon Collection Futura 2018-2021

Fittings

Type Siegenia Portal Eco Slide, lift & slide fitting, sturdy gear with locking bolt mechanism.

Opening options Lift & slide.

Accessories

Standard

- Handle



- Low threshold 25 mm height

Optional Vents, glazing bars, various options/glazing.

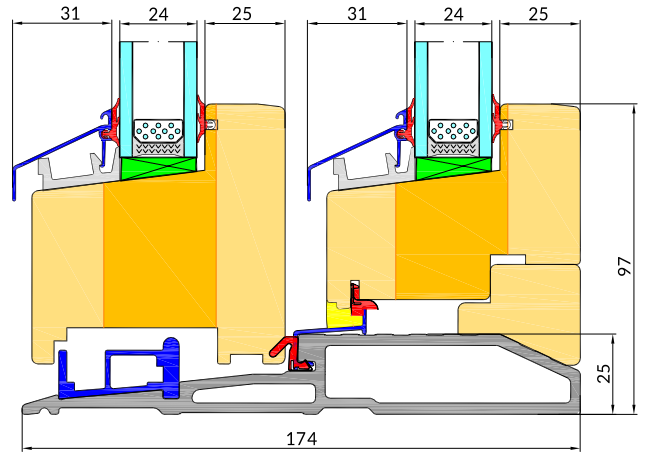
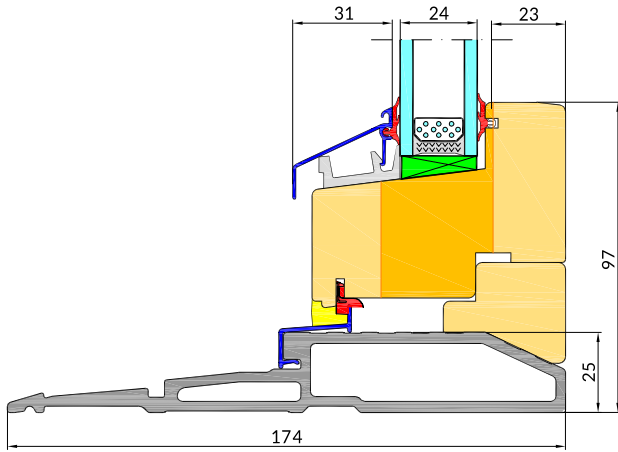
← Out

In →

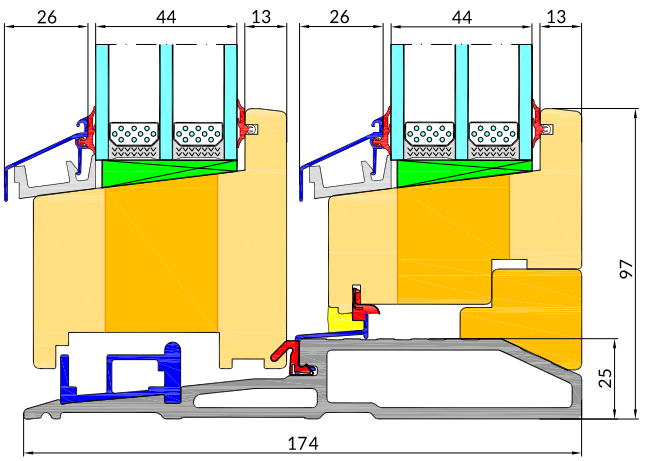
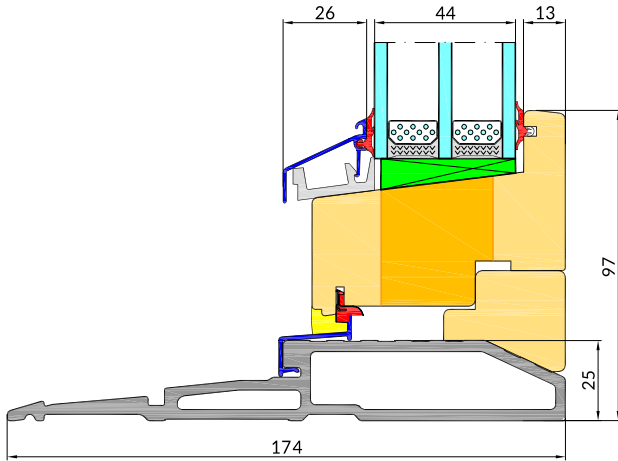
Threshold cross-section FIX

Threshold cross-section active sash

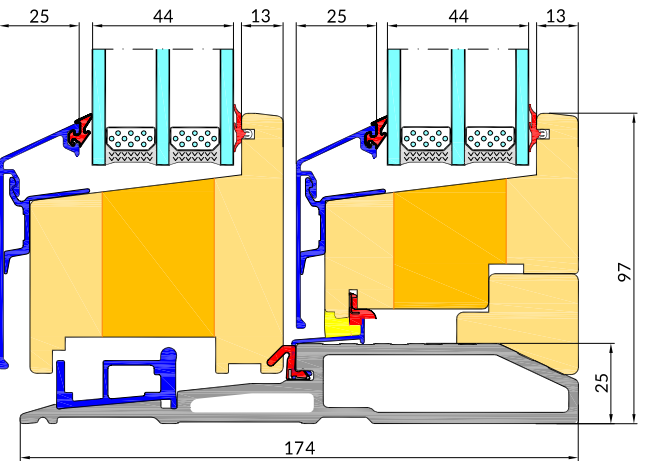
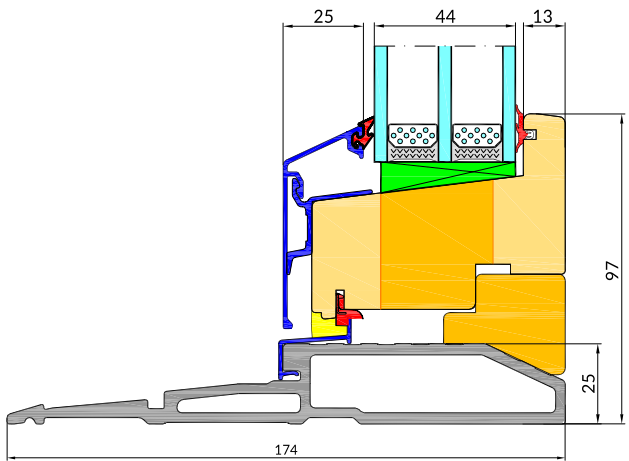
ECO LINE glass 24 mm



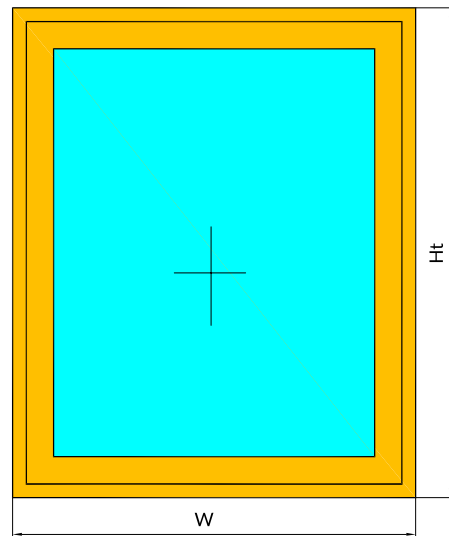
ECO LINE glass 44mm



ECO LINE ALU glass 44mm

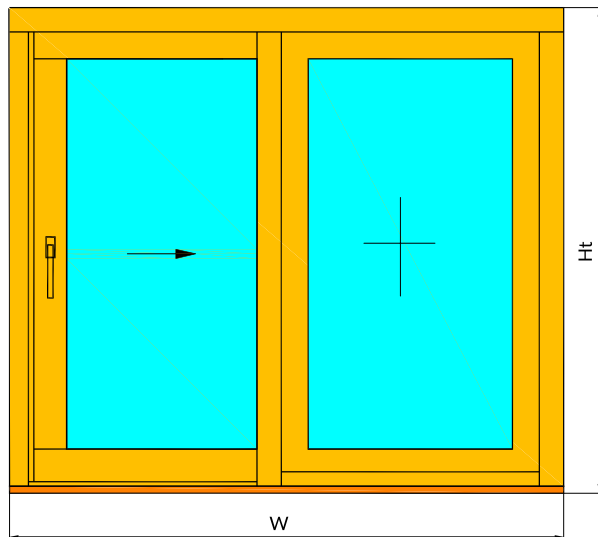


Fix



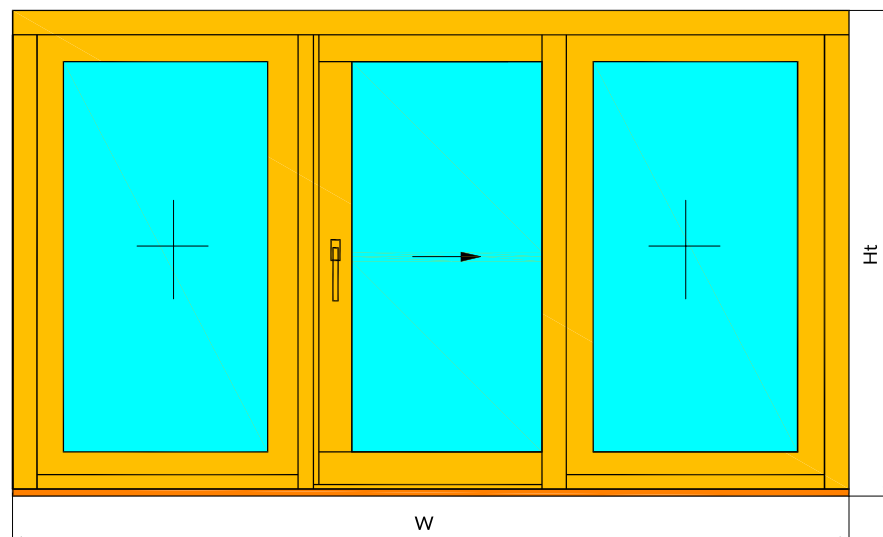
W 400 - 4000mm
Ht max 2588mm

Scheme A



W max 4988mm
Ht max 2588mm
Active sash weight max 2504g

Scheme G-2



W max 6000mm
Ht max 2588mm
Active sash weight max 2504g