

Product Card



Euro Scandinavian windows / Scandinavian windows with aluminium cladding

➤ FSC® (FSC® C003983)



Euro double glazing unit (inner view)



Euro double glazing unit (outer view)



Euro Alu triple glazing unit (inner view)



Euro Alu triple glazing unit (outer view)



Water tightness = Class E1050



Overall U-value

$U_w = 1,34 \text{ W/m}^2\text{K}$ (EURO – double glazing)

$U_w = 0,92 \text{ W/m}^2\text{K}$ (Euro Alu – triple glazing)



Air permeability = Class 3-4



Resistance to wind load = Class C2-C4



Euro

Product Outward opening Scandinavian windows are suitable for people who value unconventional solutions. There are five different opening options to choose from, including upwards, sideways or reversible.

Construction

Wooden frame Scandinavian construction made of glued laminated in length and in thickness solid timber. Wooden frame thickness 110mm; frame thickness with aluminum clad 120mm.

Material Timber types: pine, heartwood pine and oak. Our windows are made of wood – a natural material of the best quality. The material is carefully selected and dried. Upon request, we put the FSC® (FSC®C0038983) logo on the products made of pine to confirm that the wood is traceable to a sustainably managed forest.

Aluminium cladding Aluminium clad from outside attached to the window frame with special clips, allowing to create the ventilation gap between the timber surface and the aluminium cover. Aluminium cladding is powder coated.

Glazing Energy-saving double (4TP/16Ar/4TP) or triple unit (4TP/14Ar/4/14Ar/4TP) with low-emission glass and argon filled space between glass panes. Other possible glazing units: safety laminated, anti-burglar, toughened; solar control or acoustic.

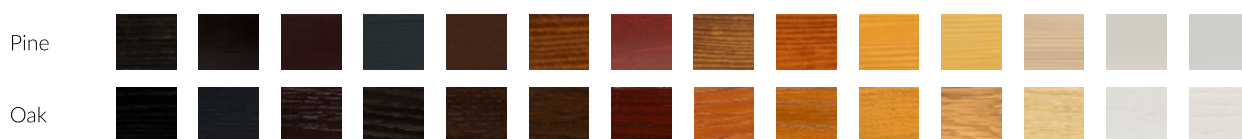
Parameters Thermal transmittance coefficient U_w :

- Reference window with triple glazing $U_w=0,86$ W/m²K.
- Possible range of acoustic parameter $R_w=32-40$ dB (depending on the glazing unit)

Finish

Paint

- RAL palette colours
- transparent colours with visible wood structure



Aluminium cladding Powder coated in RAL colours + AKZO NOBEL Interpon Collection Futura 2018-2021

Fittings

Type IPA / ASSA, outward opening; entrance doors or balcony doors available as either outward or inward opening.

Opening options Side Hung (turn with visible hinges), Top Guided (swing outwards), Side Swing 90 (reversible/vertical 90 degree revolving axis), Side Swing 180 (reversible/vertical 180 degree revolving axis) only for wooden windows, Top Turn 180 (reversible/ horizontal 180 degree revolving axis).

Additional options Friction stay to 90 degrees /safety restrictor.

Accessories

Standard Handle Hoppe Mini Tokyo, handle controlled brake in Side Hung and in terrace (balcony) doors, warm spacer bar in glazing units, threshold in entrance doors and terrace (balcony) doors - oiled Sapele or fiberglass.



Window/terrace (balcony) door non-lockable handle Hoppe Mini Tokyo



Child safety device mounted under nonlockable handle



Window/terrace (balcony) door lockable handle Hoppe Tokyo



internal only terrace (balcony) door handle with cylinder



2-sided terrace (balcony) door handle with cylinder inside only

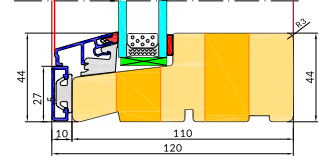
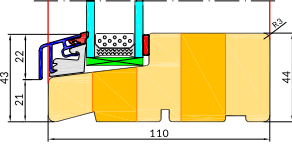
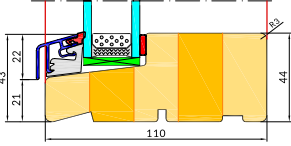
Optional Vents, glazing bars, various options/glazing, panels, hook closers instead of handles in windows, panelled sashes in entrance doors.

EURO SOFT

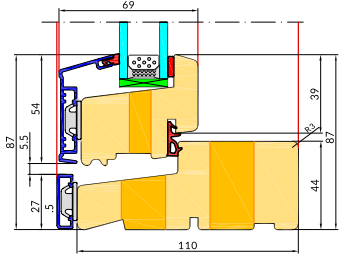
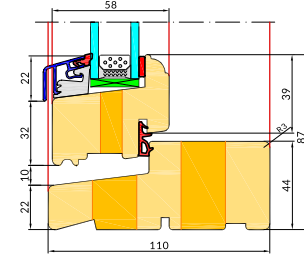
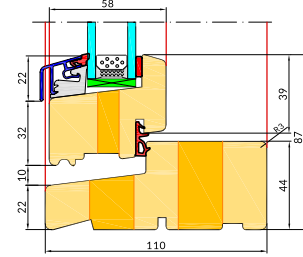
EURO CLASSIC

EURO ALU SOFT

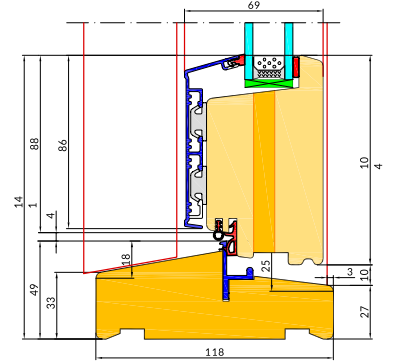
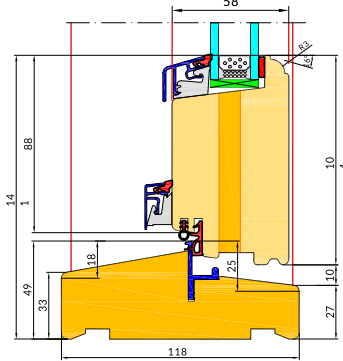
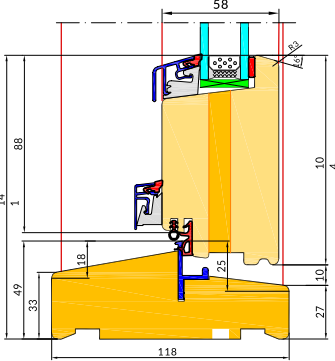
FIX



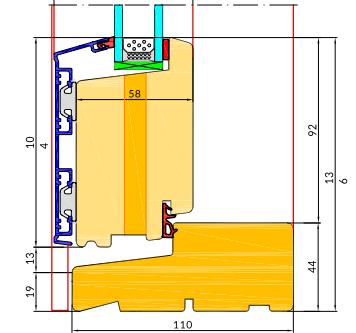
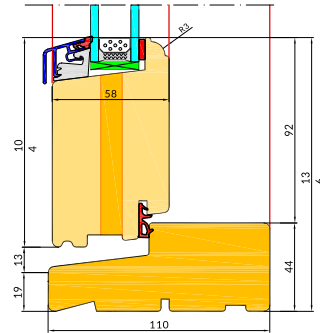
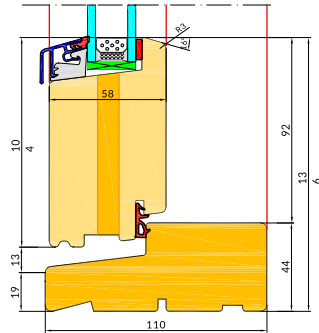
WINDOW



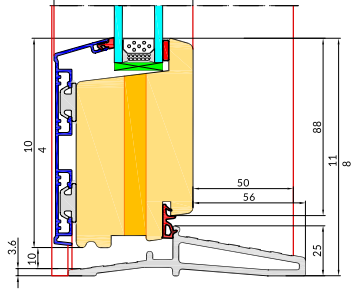
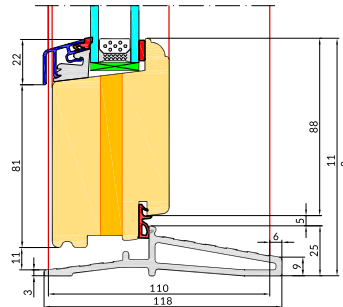
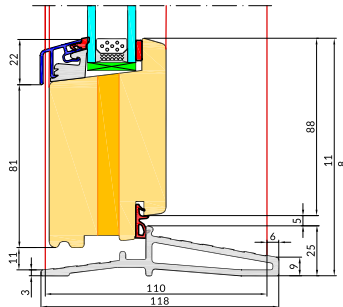
DOOR INWARD
OPENING SAPELE
THRESHOLD



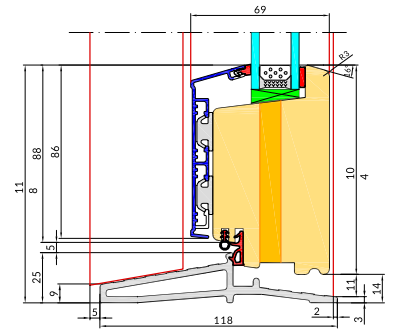
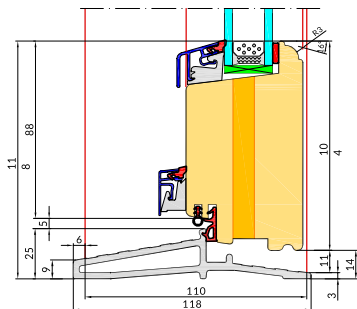
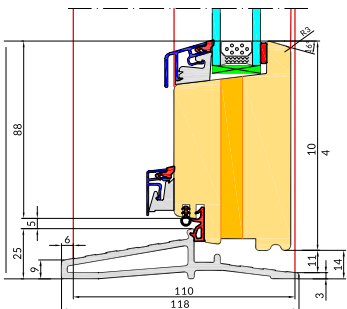
DOOR OUTWARD
OPENING SAPELE
THRESHOLD



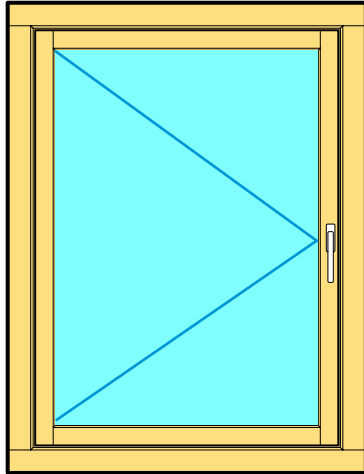
DOOR OUTWARD OPENING
FIBERGLASS THRESHOLD



DOOR INWARD OPENING
FIBERGLASS THRESHOLD

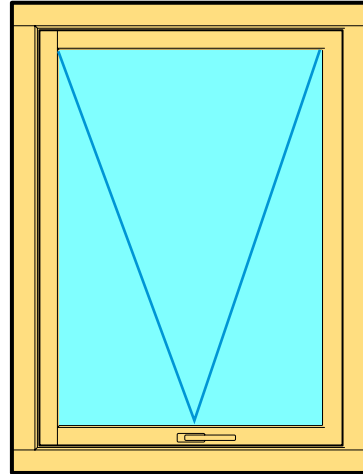


Side hung



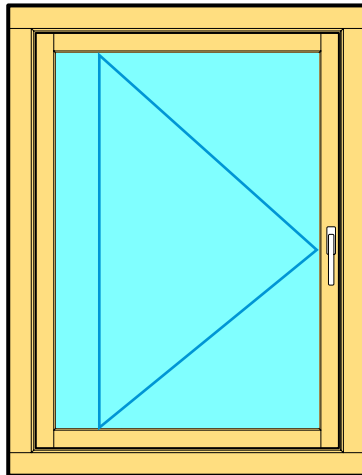
W= 370 - 900
Ht= 460 - 1660

Topguided (swing outwards)



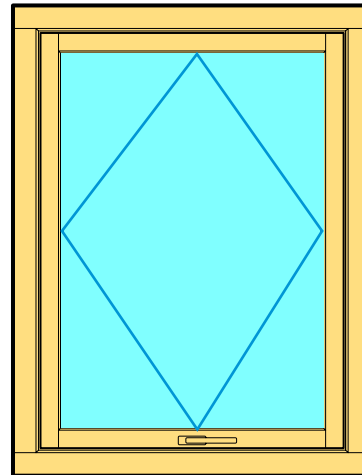
W= 400 - 1565
Ht= 370 - 1565

Side Swing 90°



W= 390 - 884
Ht= 460 - 1660

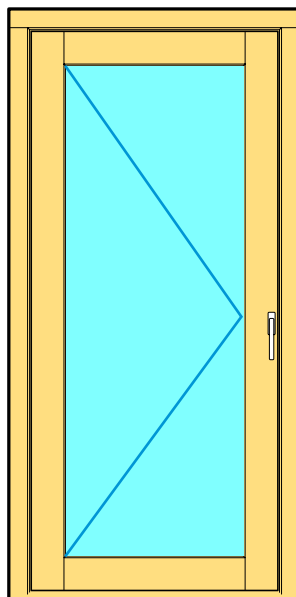
Top Turn 180°



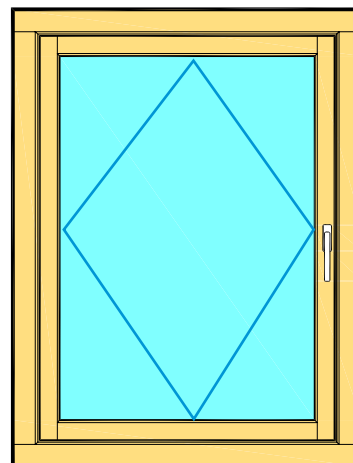
W= 410 - 1565
Ht= 625 - 1565

Doors

W= 500 - 1115
Ht= 1690 - 2445



Side Swing 180°



W= 390 - 902
Ht= 462 - 1670