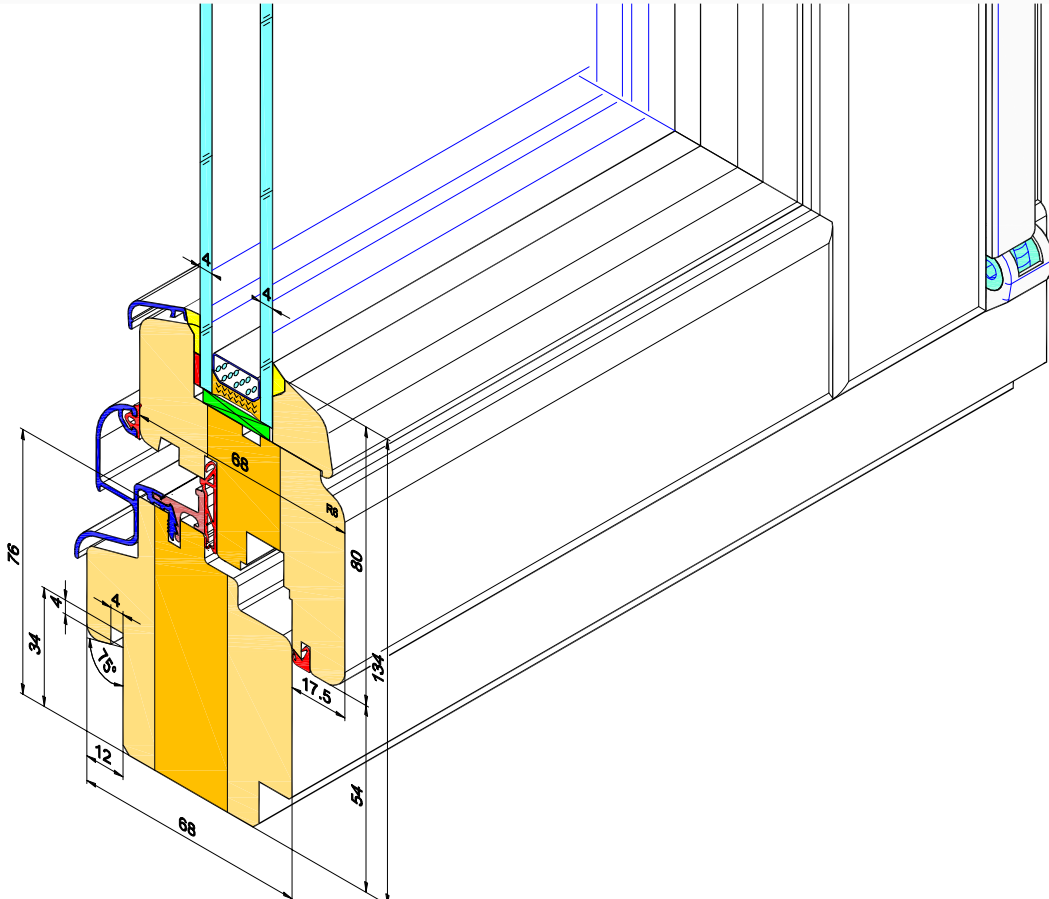
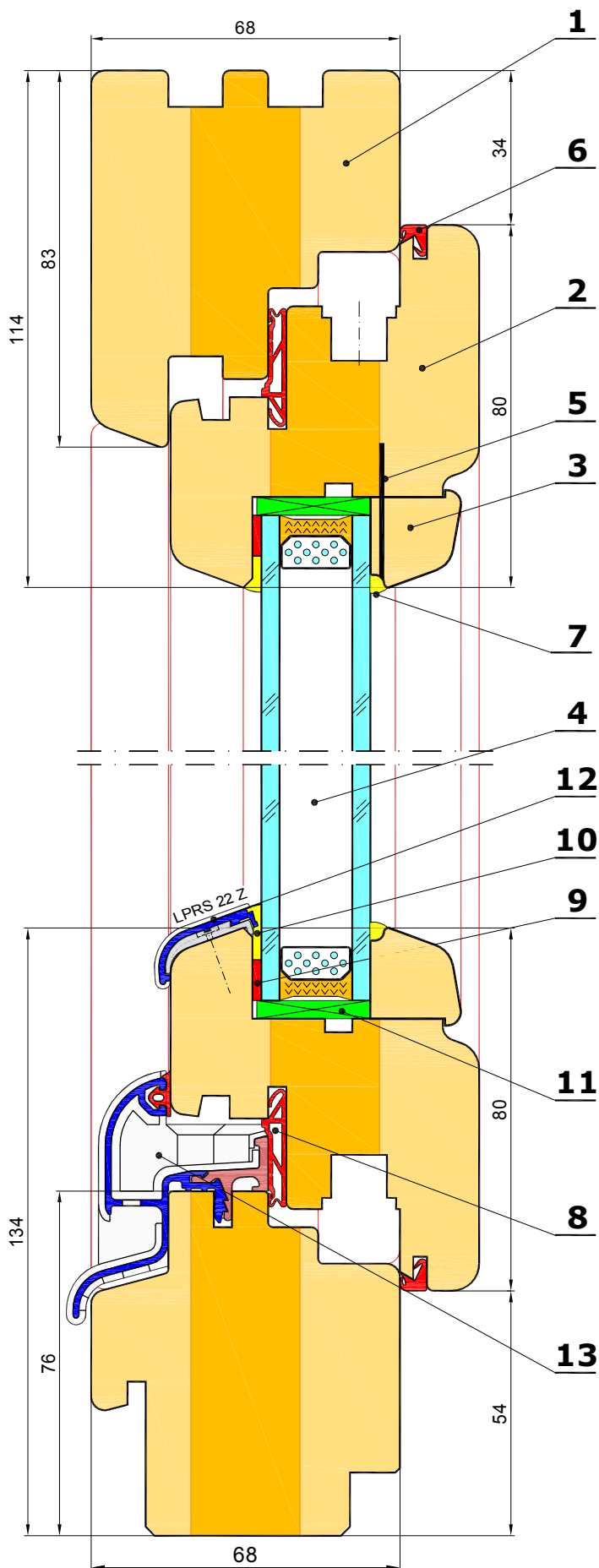


Windows and balcony doors - STYLE 68



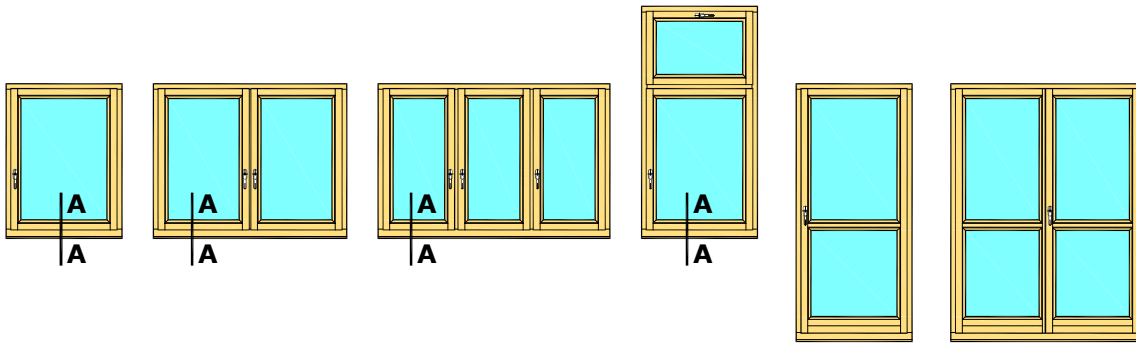
	<i>technical issue</i>	<i>description</i>	<i>notes</i>
1	CONSTRUCTION	STYLE 68	
2	MATERIAL	<ul style="list-style-type: none"> - pine fingerjointed, - pine sorted (not fingerjointed), - meranti, 	
3	FITTINGS OPTIONS	<ul style="list-style-type: none"> - tilt, turn, turn&tilt, tilt&turn, - flying mullion with espagnolette, - tilt with HAU-TAU opener (from floor level), - anti-burglar options: RC1, RC2, - tilt and slide, - balcony doors with low aluminium threshold, - hidden hinges, - TBT handle function (tilt before turn), <li style="padding-left: 20px;">Balcony doors outward opening 	
4	WINDOW SHAPE	<ul style="list-style-type: none"> - rectangle, - triangle, - trapezium, - rounded, - arched, 	
5	SIZE RANGES	<p style="text-align: center;">Sash width</p> <ul style="list-style-type: none"> - standard: 332 - 1547mm, - RC1: 396 - 1761mm, - RC2: 396 - 1511mm, <p style="text-align: center;">Sash height</p> <ul style="list-style-type: none"> - max 2600mm, <p>Note: proportion of sash width to sash height - 1.5 Max sash weight 130kg - (tilt, tilt&turn). Max sash weight 50kg - (turn). Max sash weight 80kg - (triangle, rounded, arched)</p> <p>Weight of 1m² of glass (1mm thickness) - 2.5kg</p>	
6	GLAZING UNITS	<ul style="list-style-type: none"> - glazing unit thickness max 31mm - rectangle, trapezium, triangle shapes - glazing unit thickness 24-25,8mm - rounded, arched shapes 	
7	TIMBER FINISH	Final painting with water-based opaque paints or staines	
8	COLOUR	<ul style="list-style-type: none"> - opaque: RAL 9016 (white), - Stain: Pine TM367, Afromozja TM4239, Mahogany TM1530, Palisander TM1705, Teak TM1703, Cyprys TM5207, Venge TM9012, Nut TM1515, Graphite TM1504, - pozostałe z palety RAL, 	
9	DRIP CAPS	Frame thermally broken drip cap, additional sash drip cap (standard) <ul style="list-style-type: none"> - white, brown, olive - other colours from RAL palette at request, 	
10	COVERS	fittings: hinge covers: white, olive	
11	GLAZING BARS	<ul style="list-style-type: none"> - konstruktion (structural) bars 80mm, - vienna (glued-on) bars 12x24mm, - internal glazing bars (inside insulated glass unit), 	

	<i>technical issue</i>	<i>description</i>	<i>notes</i>
12	Widths of construction elements	<ul style="list-style-type: none"> - Sash element width: 80-110mm, - Frame element width: 83-114mm, 	
13	VENTS	<p>in sash:</p> <ul style="list-style-type: none"> a) Aereco EMM b) Trimvent 90 HL c) Aereco EXR <p>Note: External vent hood fitted on frame head.</p> <p>in frame:</p> <ul style="list-style-type: none"> a) Trimvent S13 b) Aereco EMM c) Ventair 	
14	ADDITIONAL OPTIONS	<ul style="list-style-type: none"> - frame widener, - frame connector, - 90 degree corner post, - 135 degree corner post, - counterprofile, - thresholds, <ul style="list-style-type: none"> a) Cutting 12x30 mm from outside and cutting 11x30mm from inside, b) Cutting 11x30mm from inside, c) Cutting 12x30 mm from outside, d) Cutting 12x30 mm from outside and cutting 11x14mm from inside, e) Cutting 12x30 mm from outside and groove 10x10mm from inside, f) without cutting, - timber cover bead (45mm, 35mm), 	
15	SILICONE	<ul style="list-style-type: none"> - transparent, 	

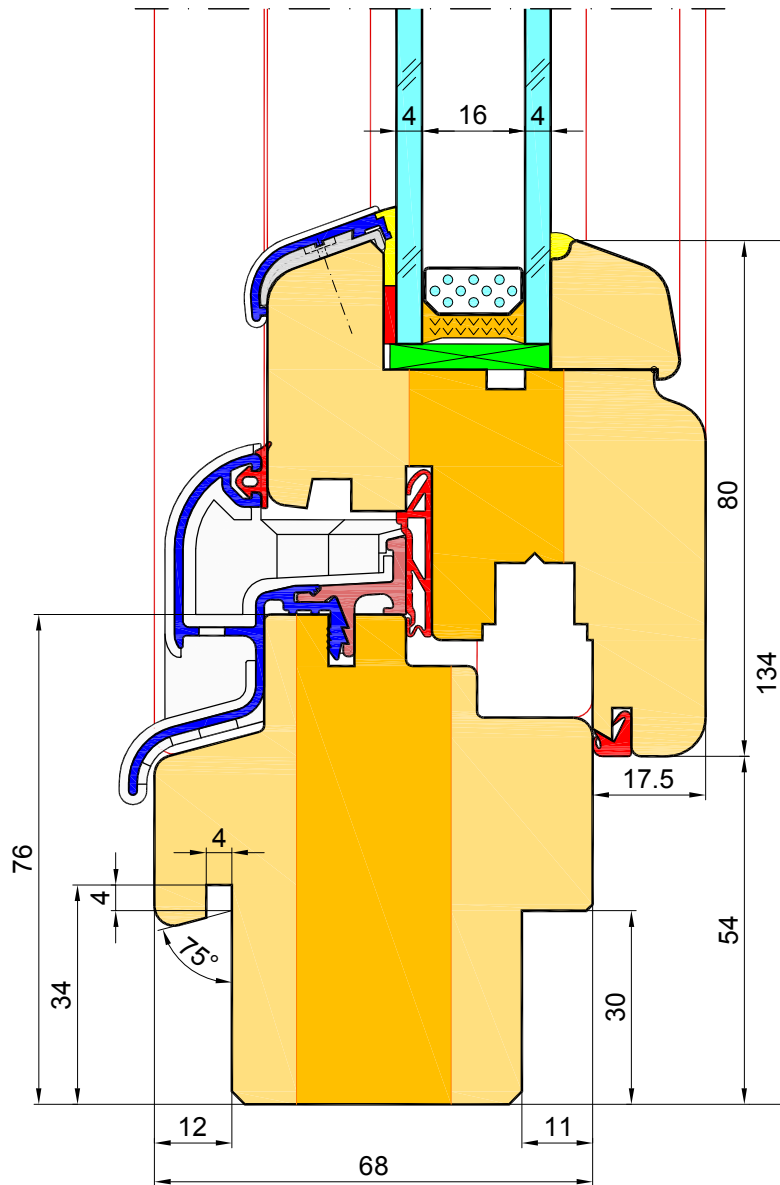


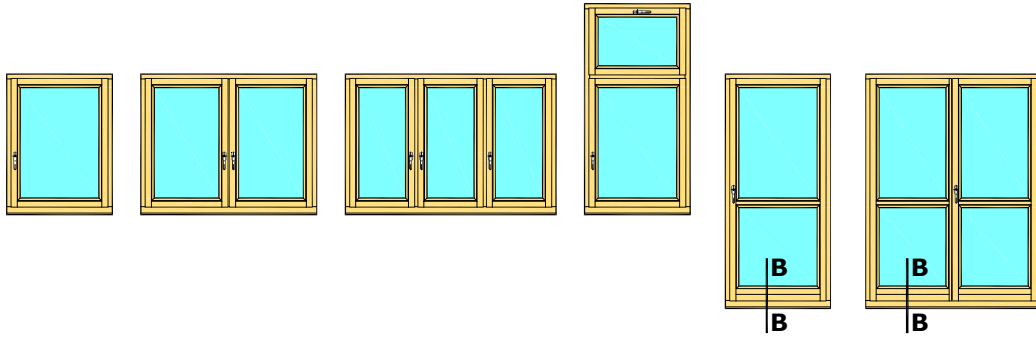
Elements

- 1 - window frame - timber
- 2 - window sash - timber
- 3 - glazing bead with groove for silicone
- 4 - insulated glass unit
- 5 - steel nail SK330 (1,1x30mm)
- 6 - edge gasket TPS - SP33 Deventer
- 7 - silicone according to DIN 1845 T.2 (group E)
- 8 - rebate gasket TPE - SV180 Deventer
- 9 - neoprene glazing gasket
- 10 - silicone according to DIN 1845 T.2 (group E)
- 11 - glazing PVC block - 3,5x25x100mm
- 12 - aluminium sash drip cap - LPRS 22 Z
set - drip cap LPRS 22 Z
- end cap right and left LPRS S/Z
- clip LPRS 22 Z
- 13 - aluminium gutter drip with thermal insert- Effector
set - aluminium gutter drip
- drip plugs: right and left

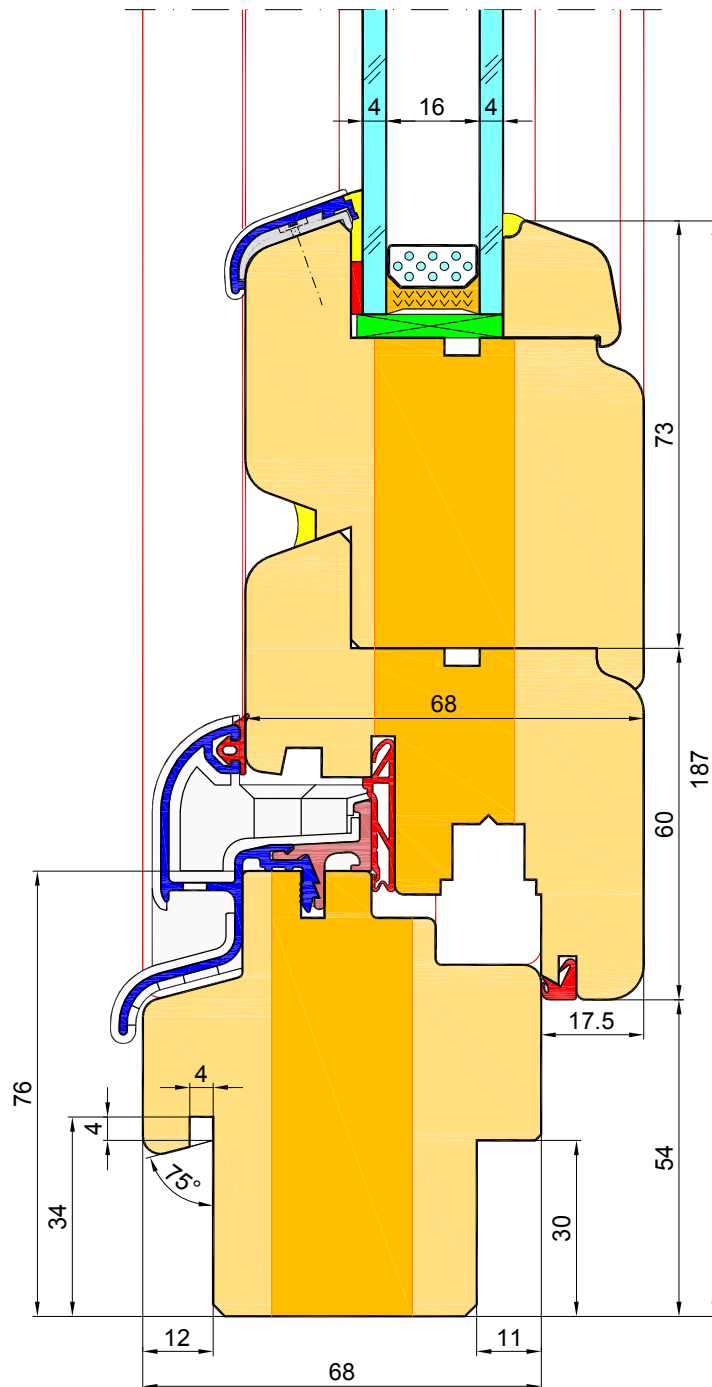


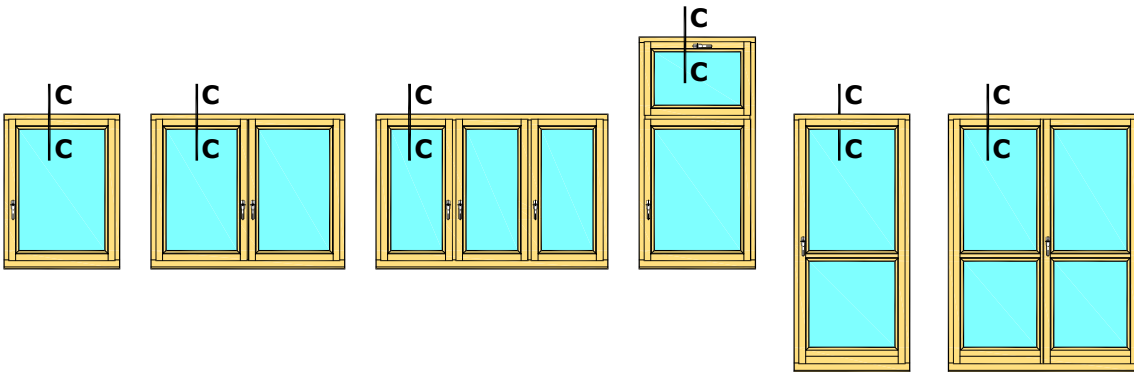
A-A



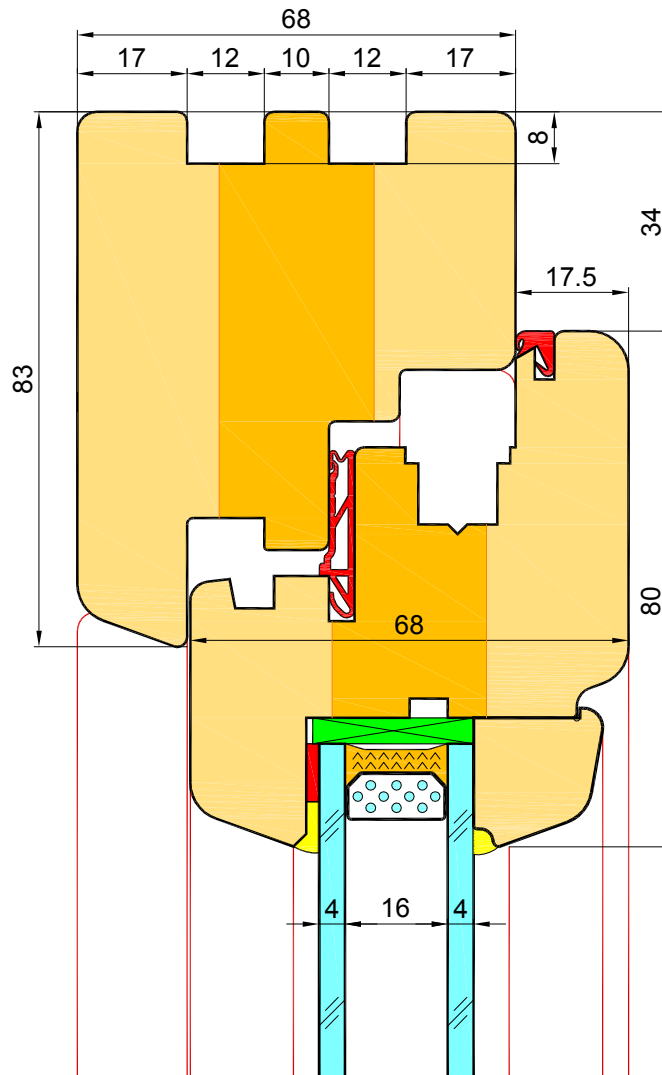


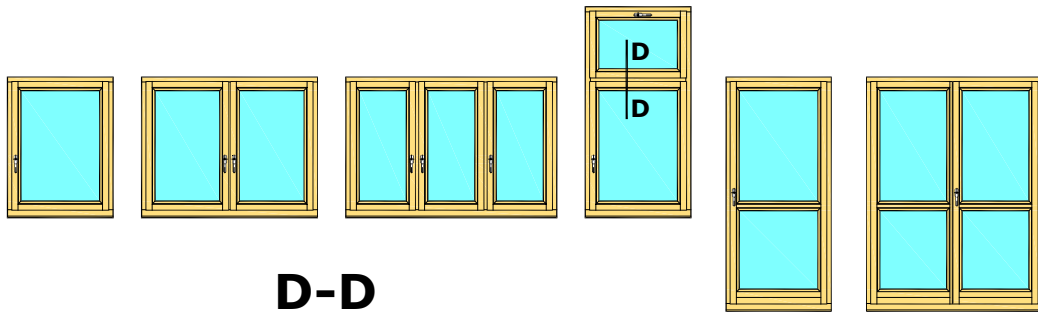
B-B



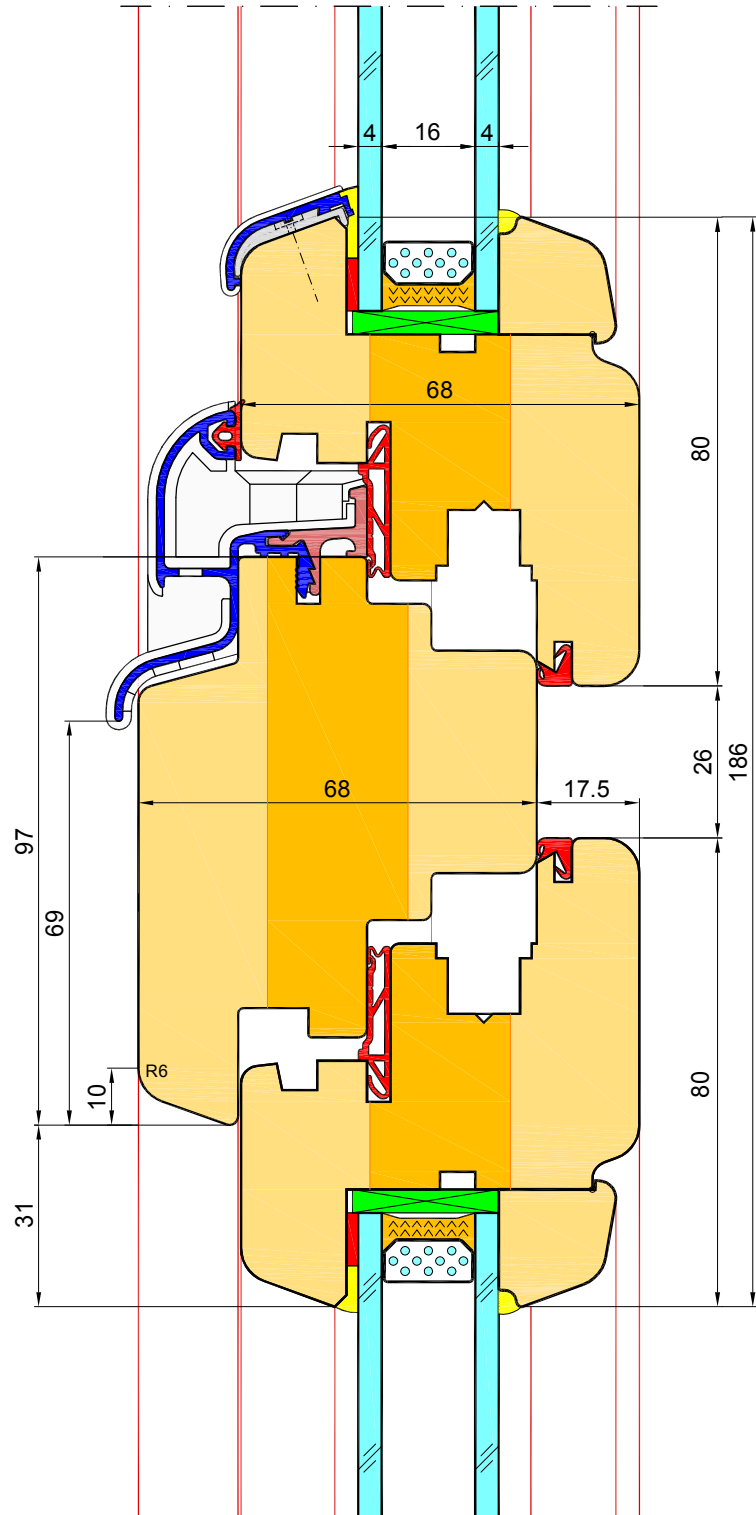


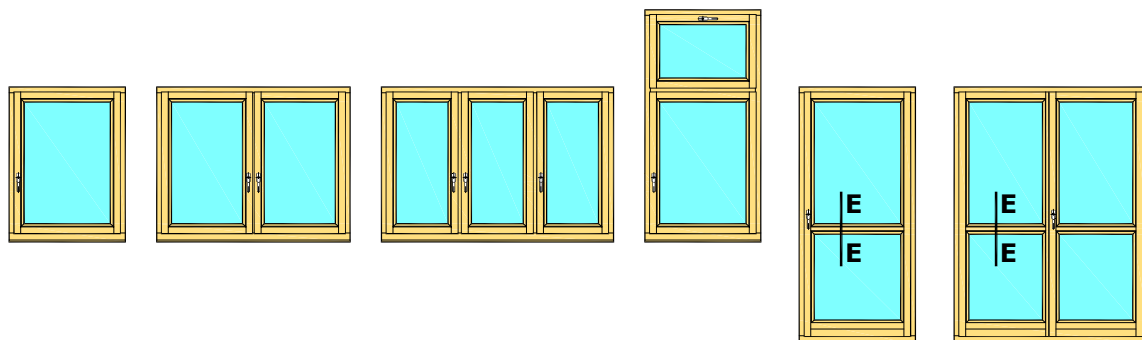
C-C



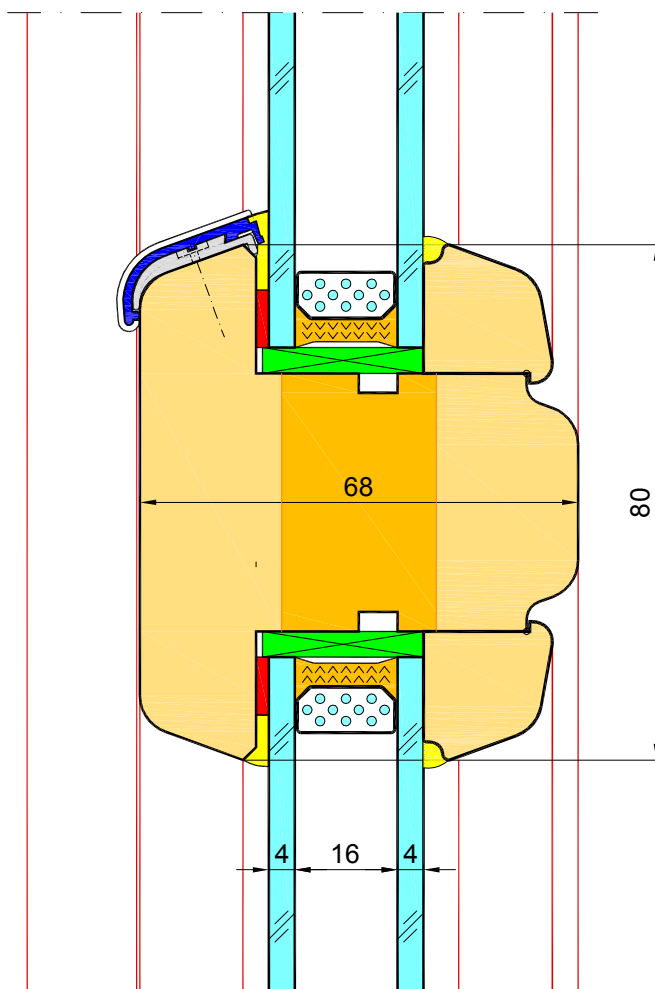


D-D

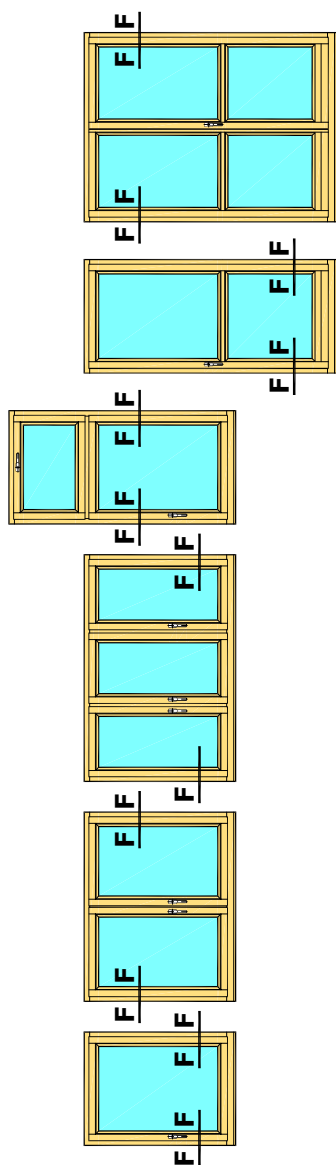




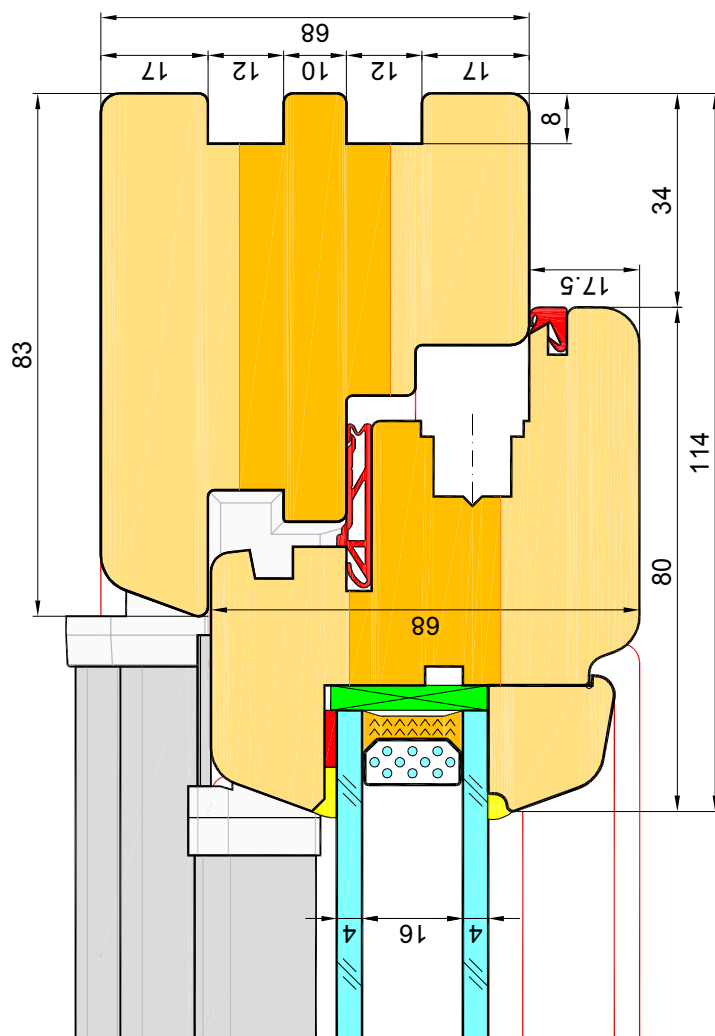
E-E



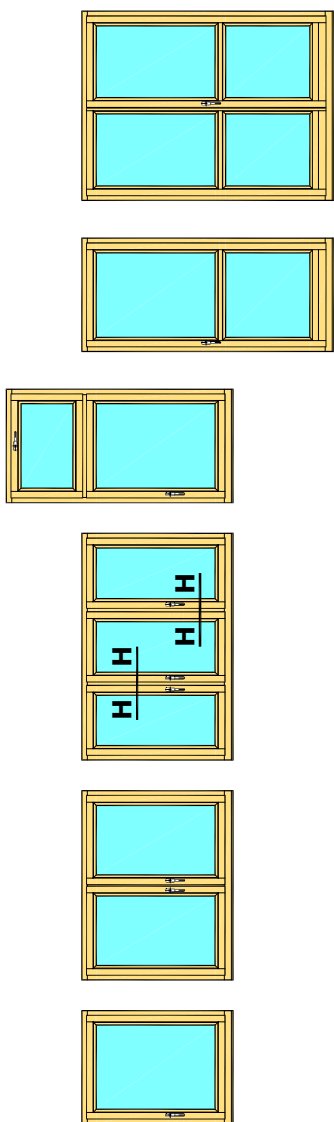
sash construction bar 80mm



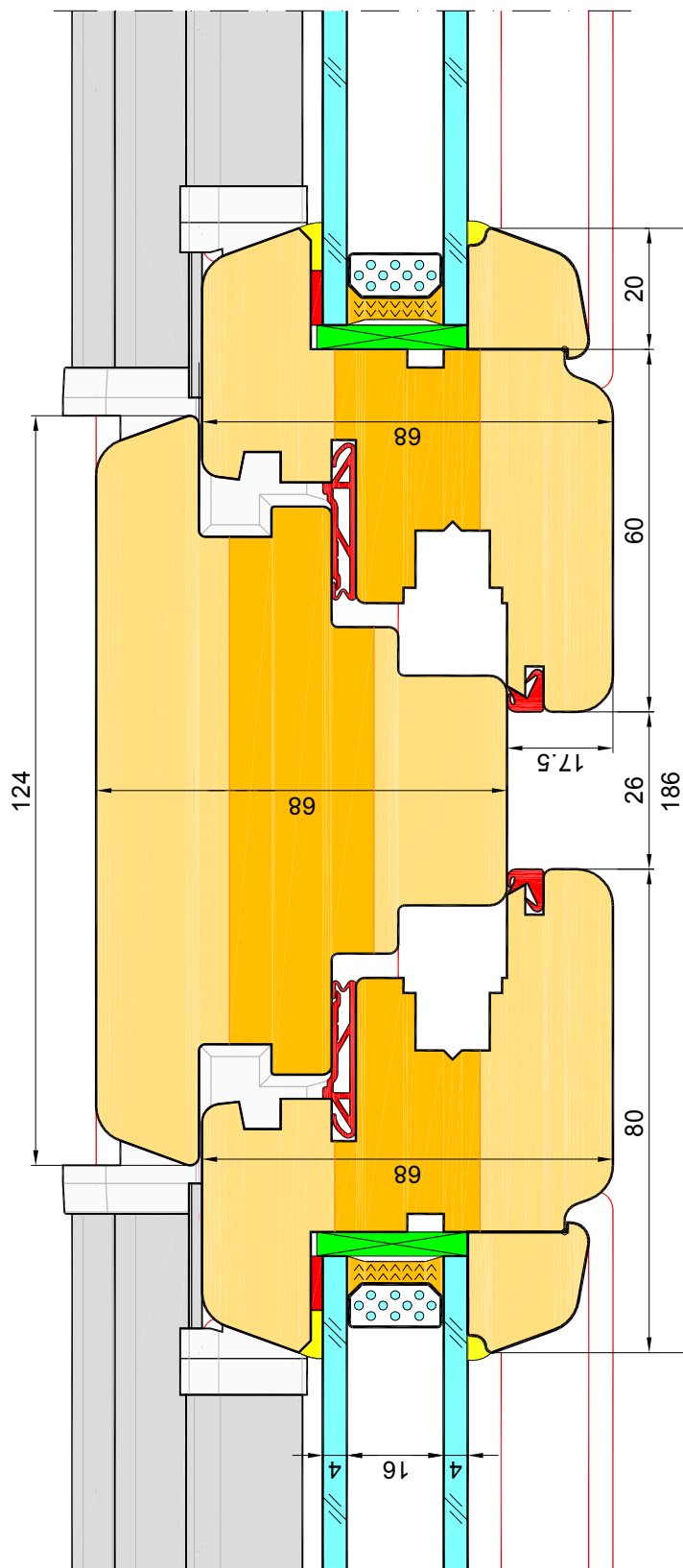
F-F



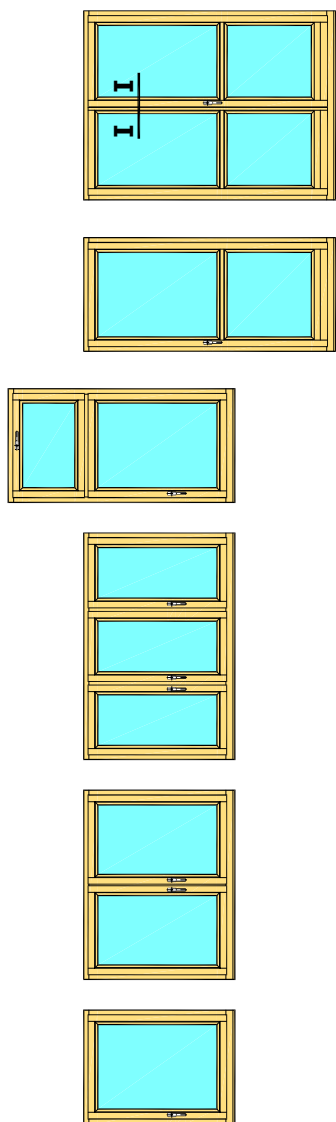
fixed mullion



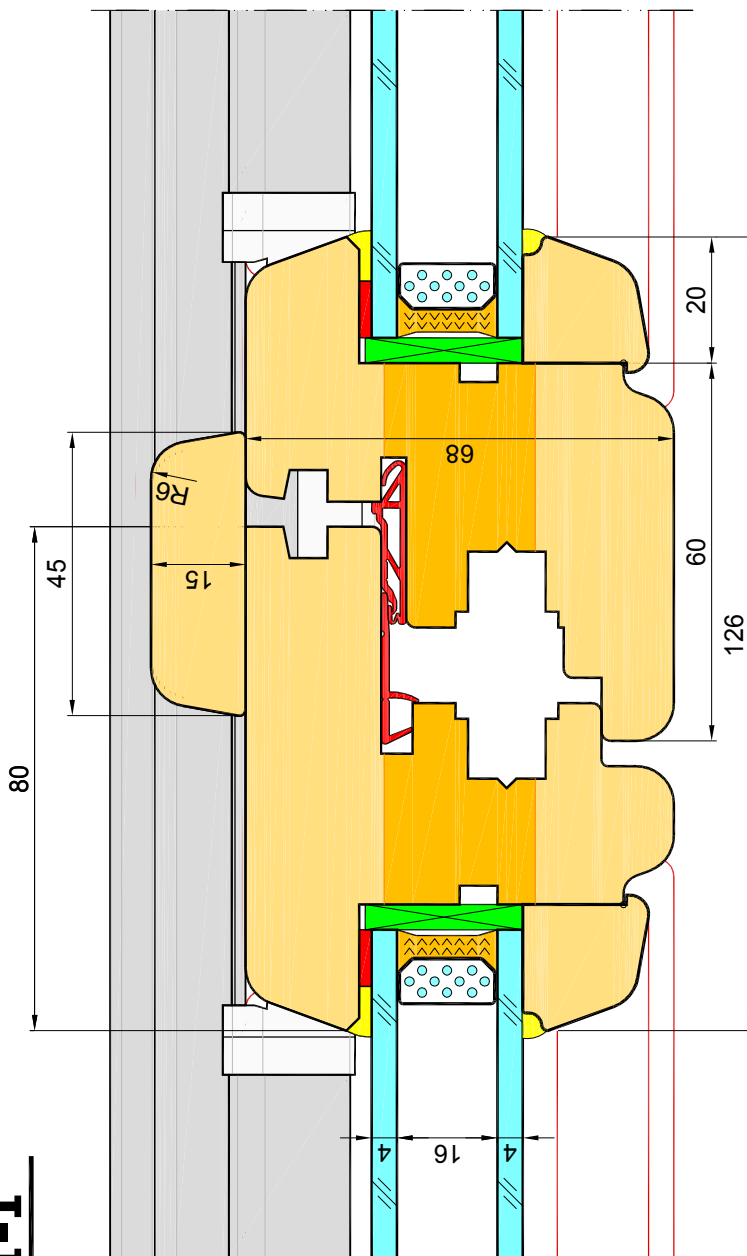
H-H

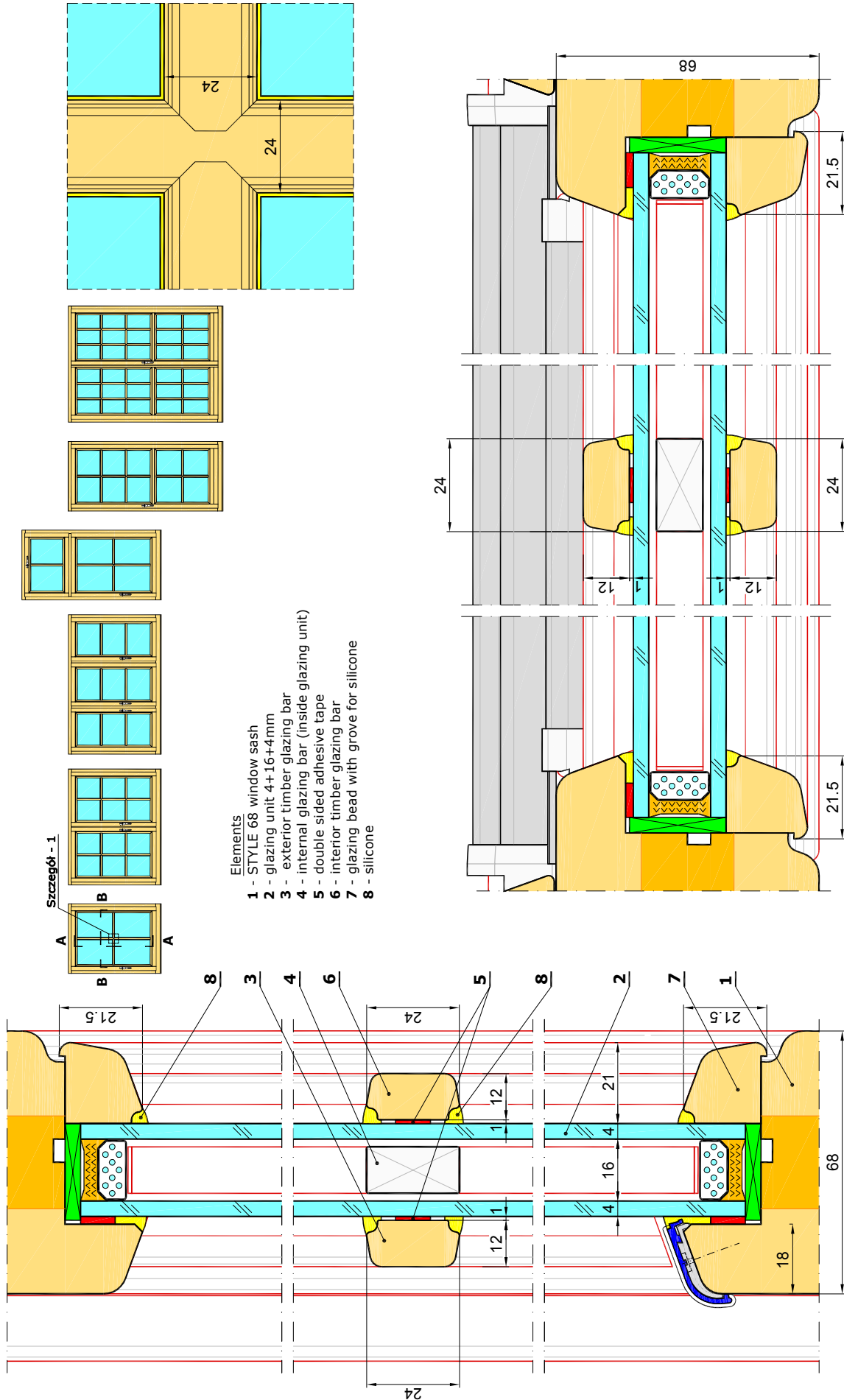


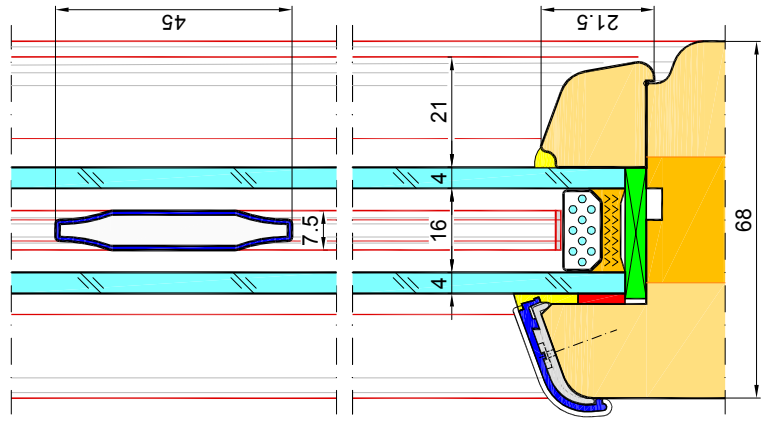
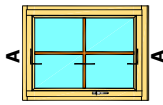
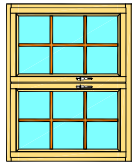
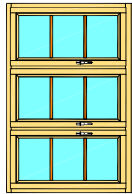
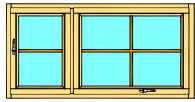
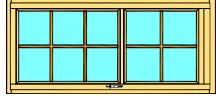
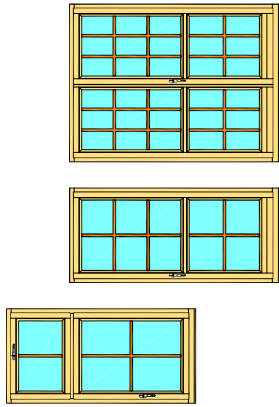
flying mullion



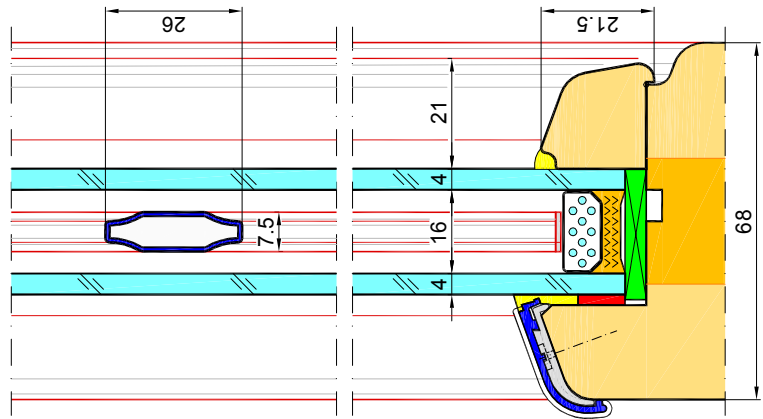
I-I



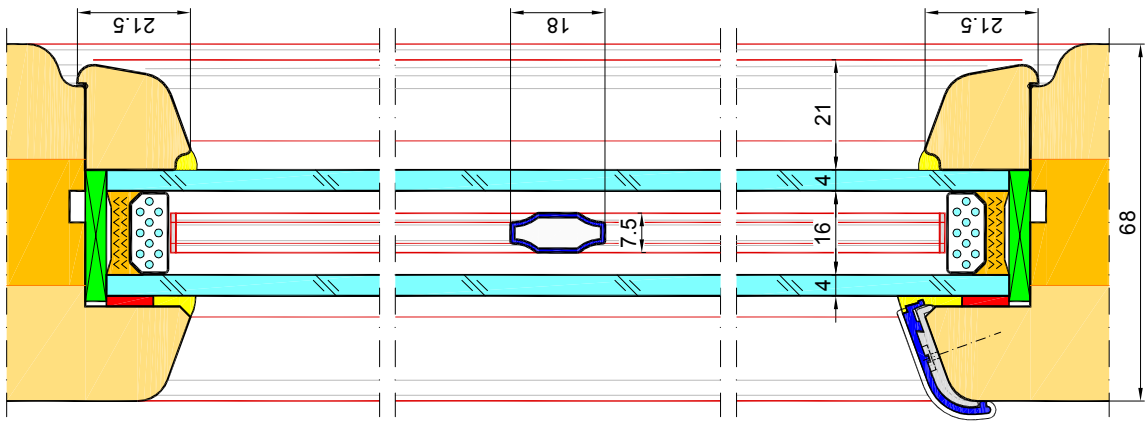




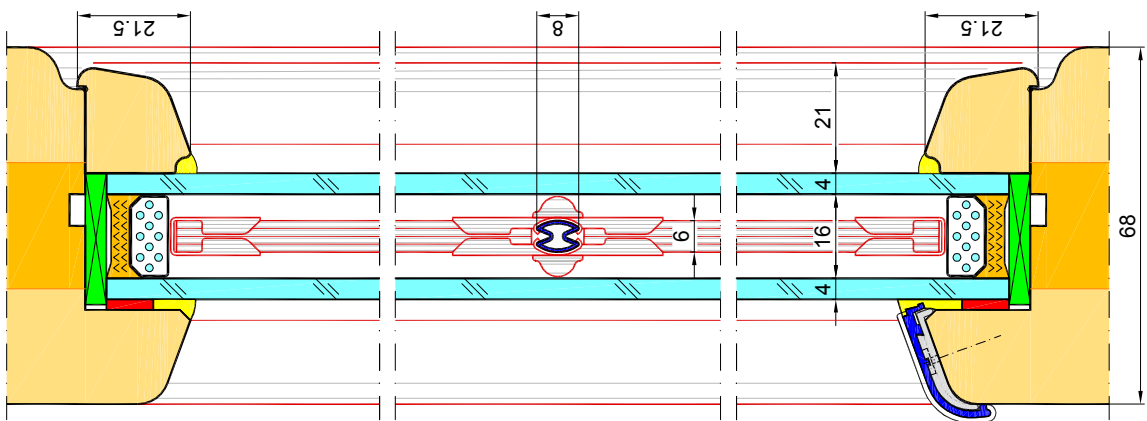
A-A
internal glazing bar (inside glazing unit)
45mm



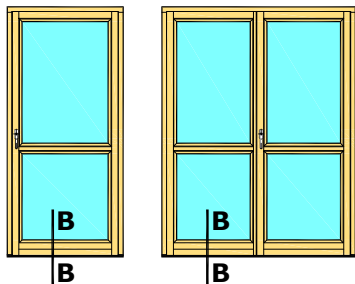
A-A
internal glazing bar (inside glazing unit)
26mm



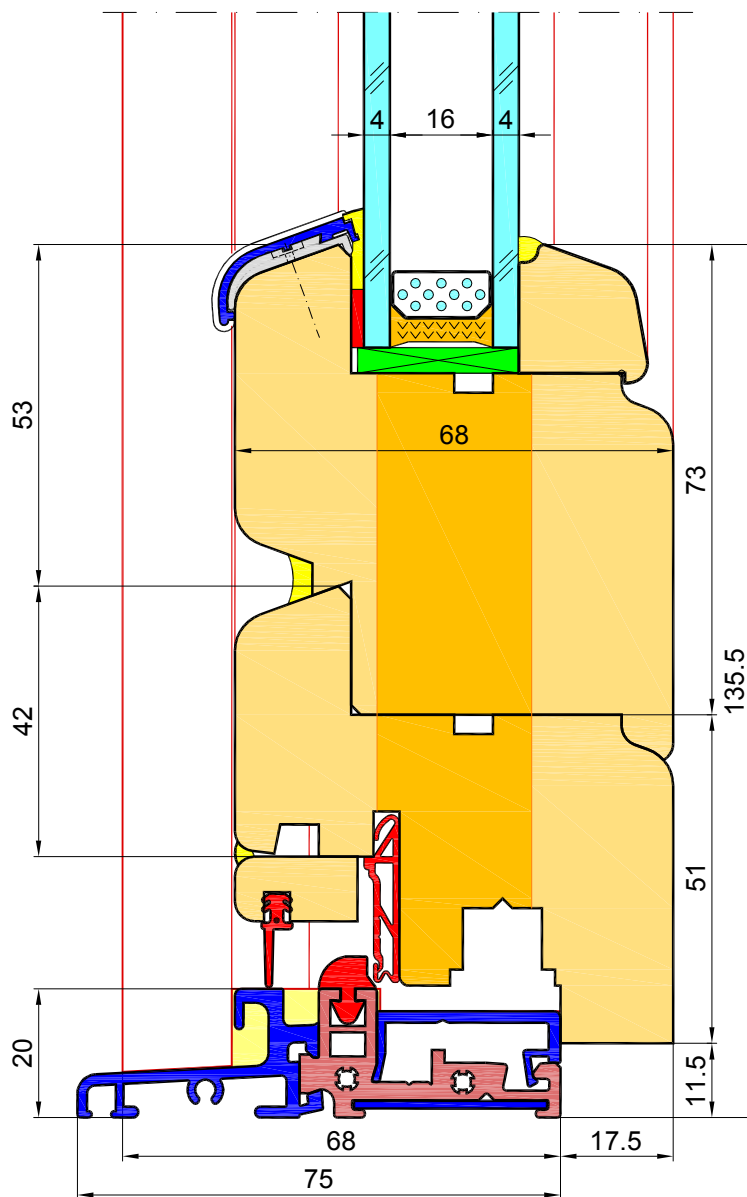
A-A
internal glazing bar (inside glazing unit)
18mm



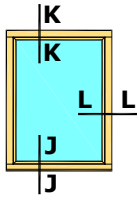
A-A
internal glazing bar (inside glazing unit)
8mm



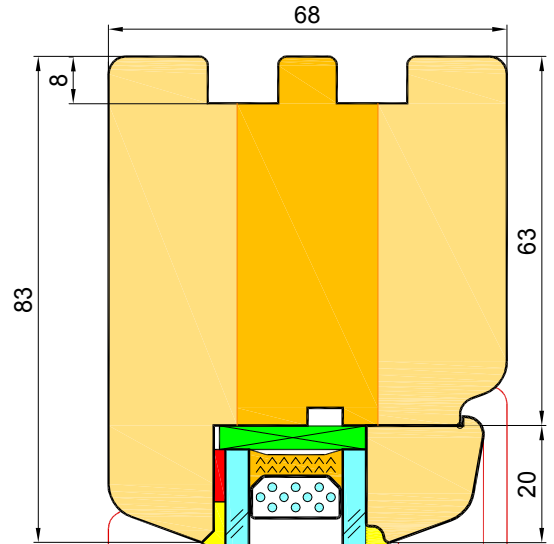
B-B



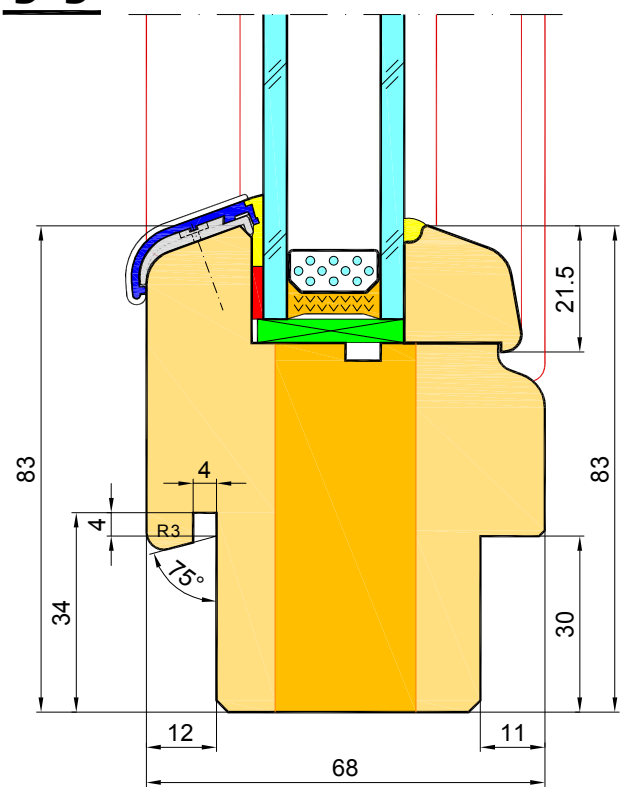
Low aluminium threshold



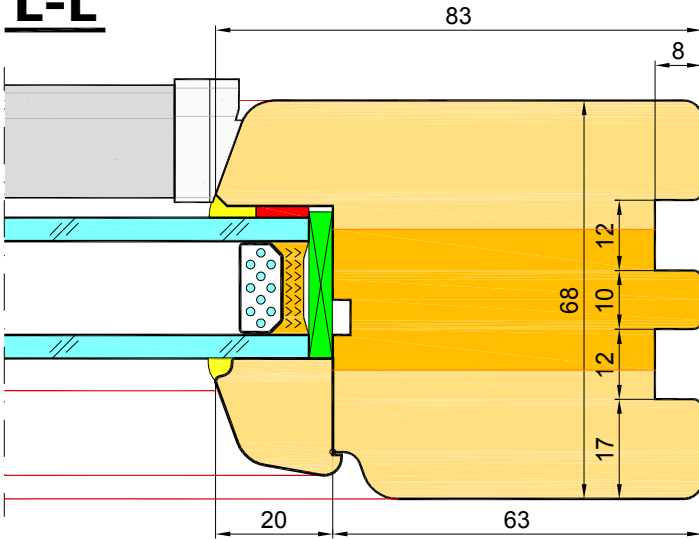
K-K

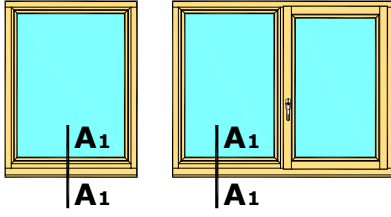


J-J

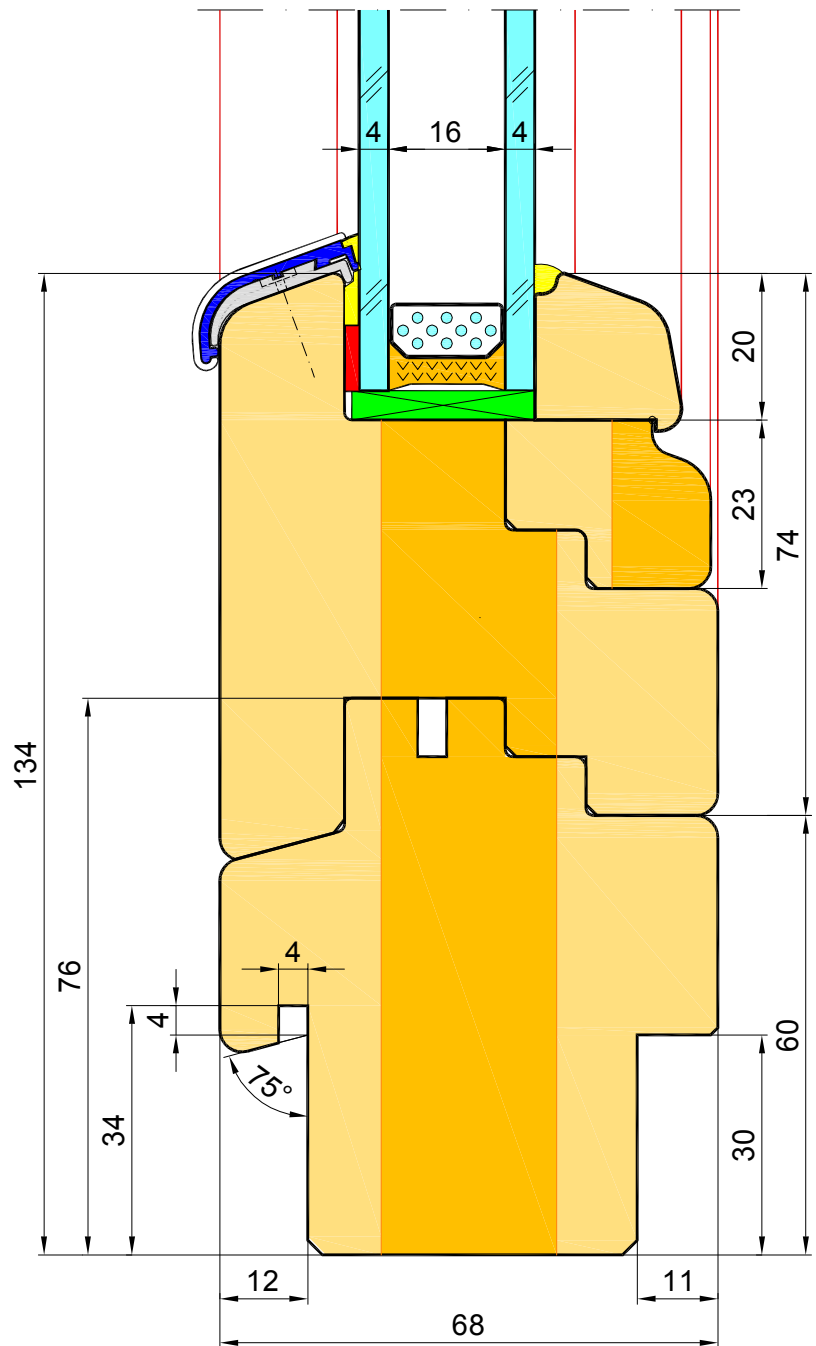


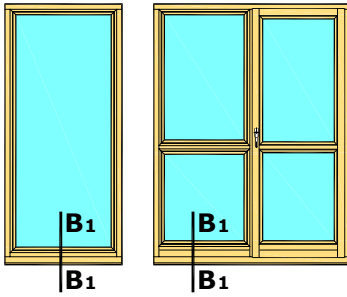
L-L



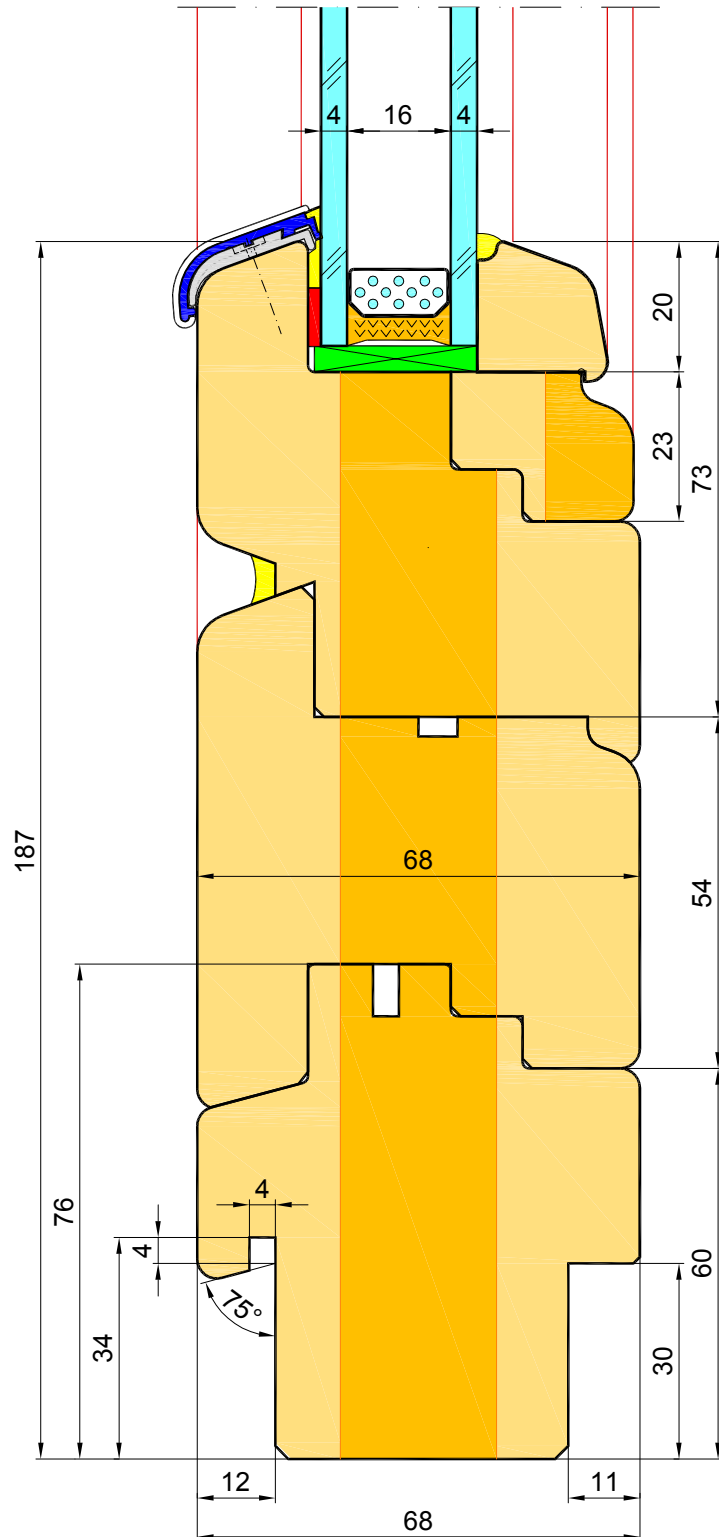


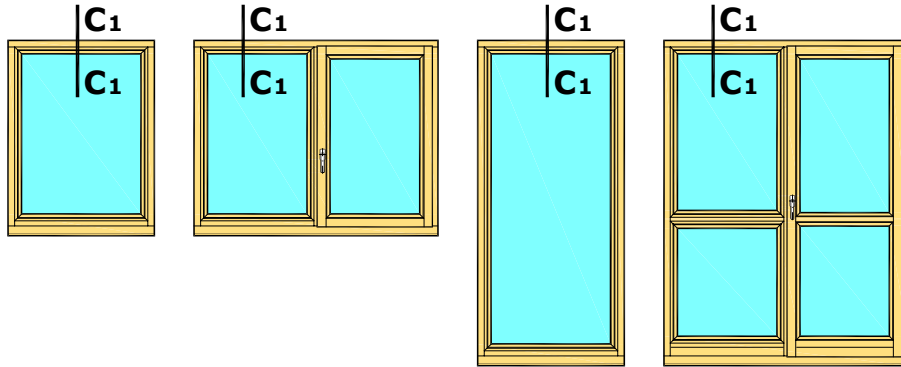
A1-A1



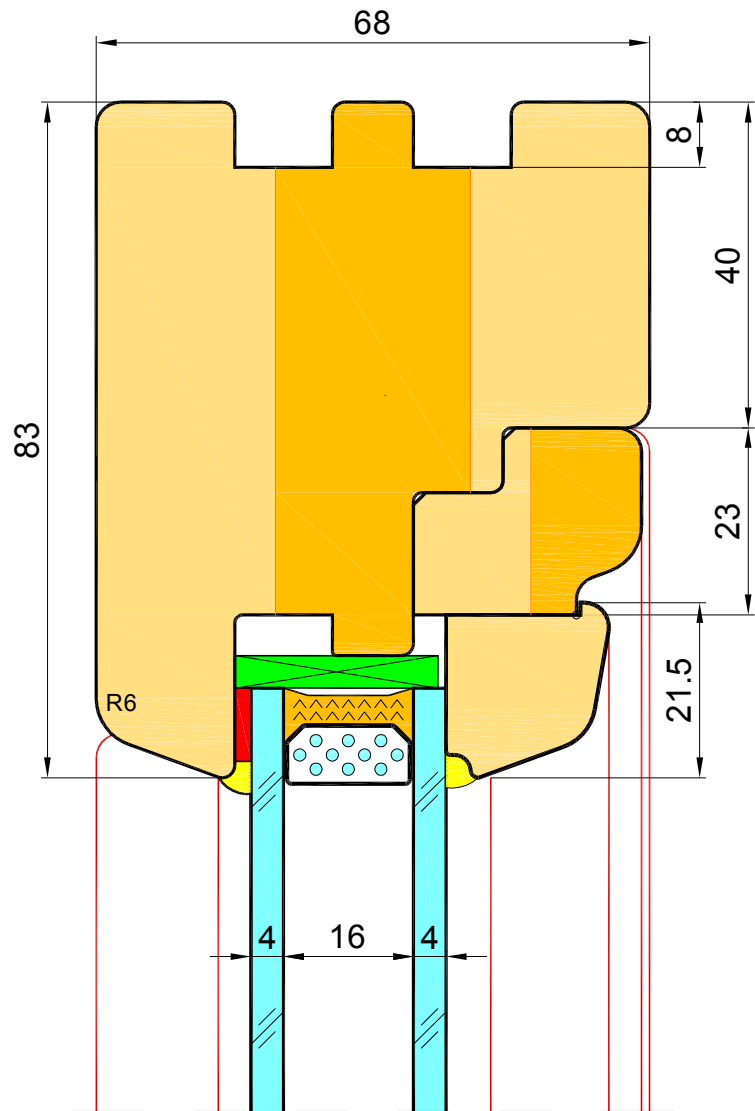


B1-B1

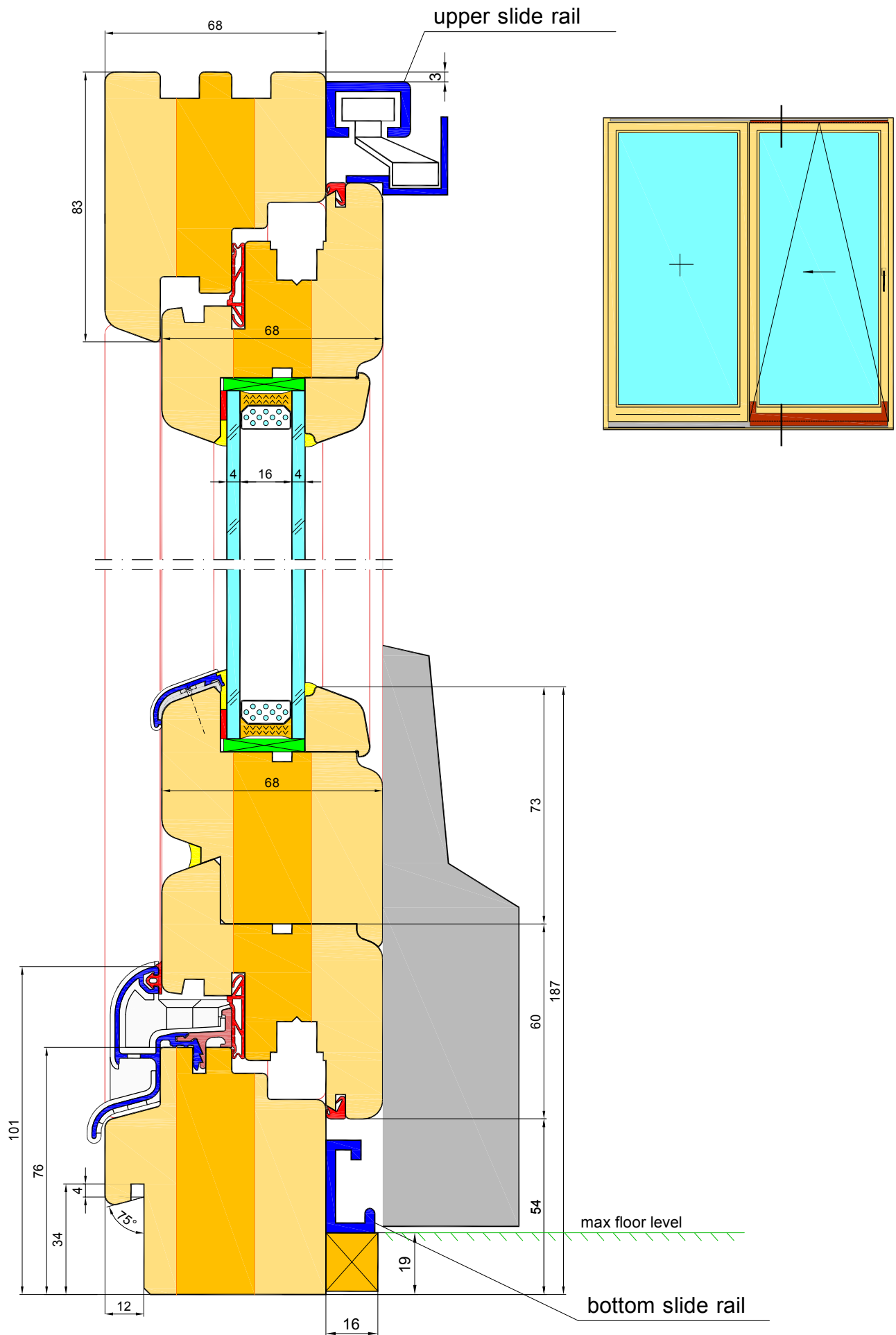


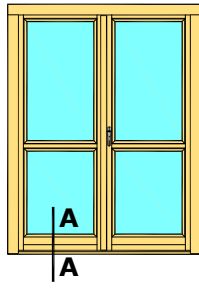
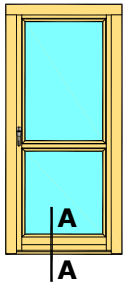


C1-C1

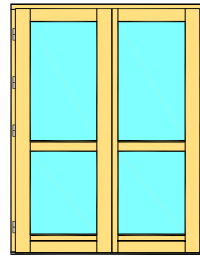
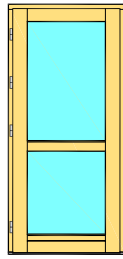


STYLE 68 - tilt & slide terrace doors (PSK)



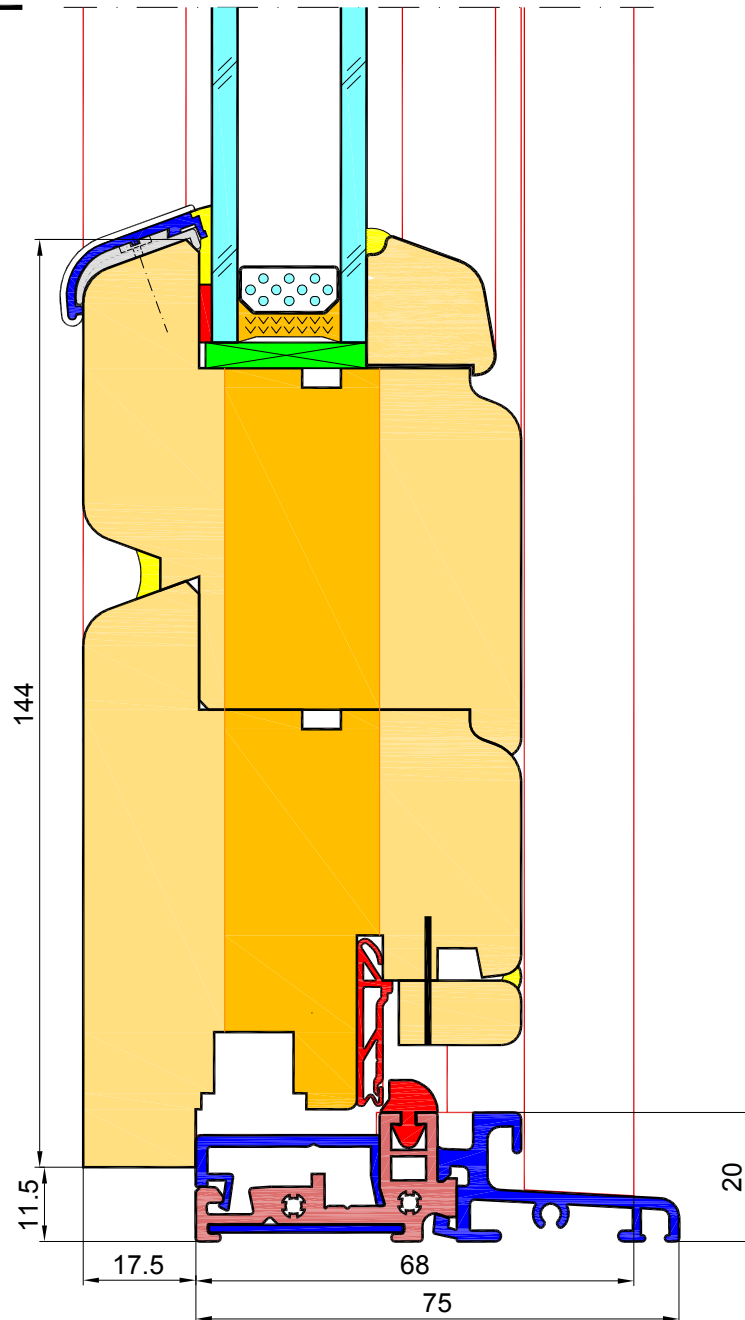


Widoki od wnętrza pomieszczenia

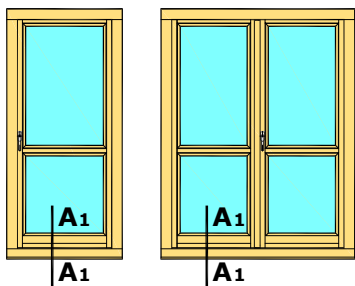


Widoki od strony elewacji

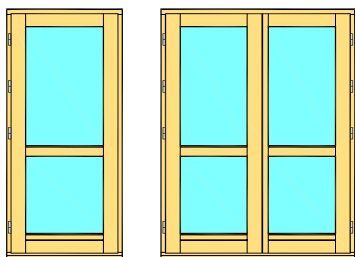
A-A



Low aluminium threshold

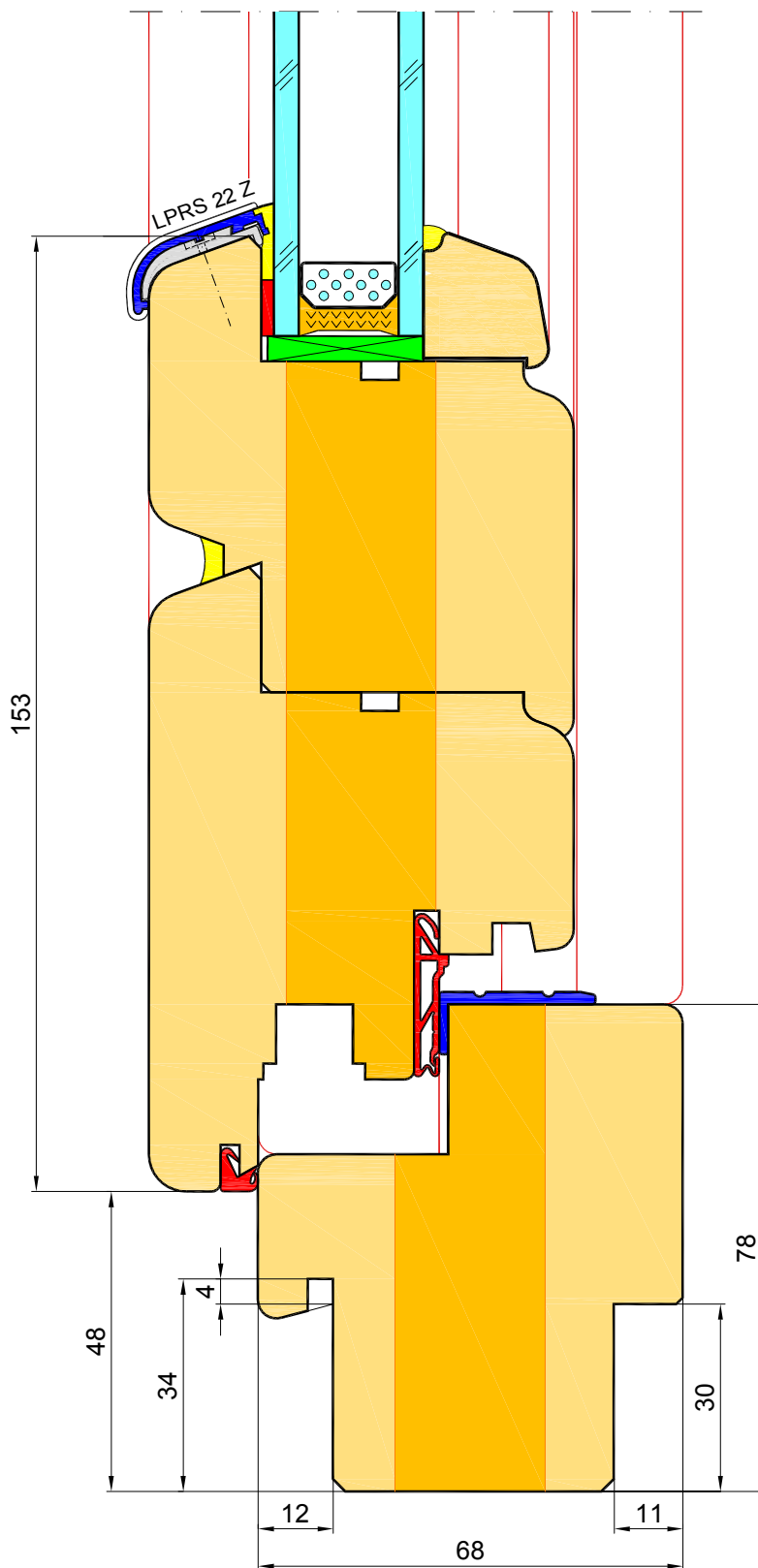


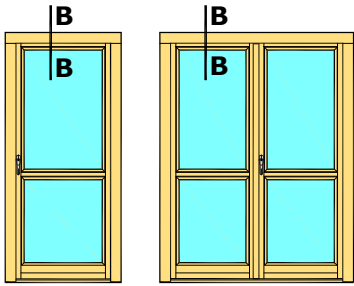
Widoki od wnętrza pomieszczenia



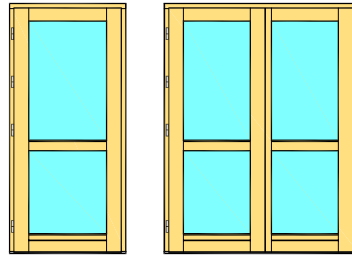
Widoki od strony elewacji

A1-A1



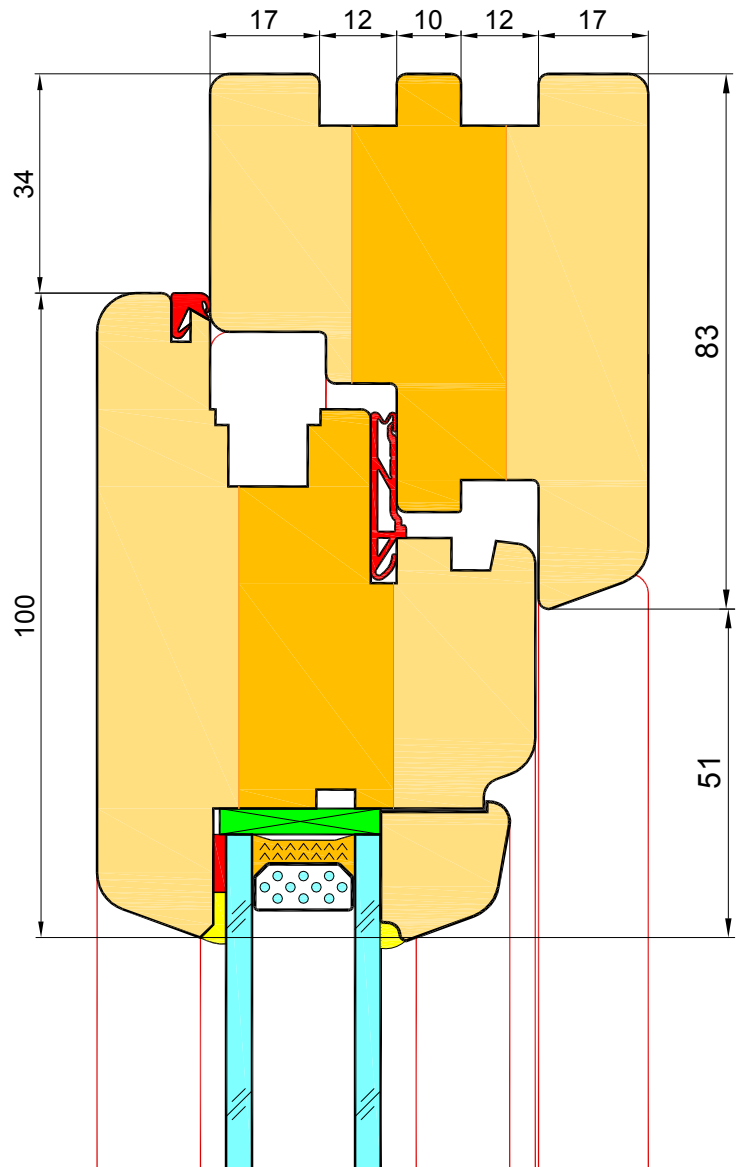


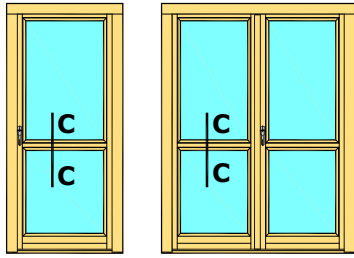
Widoki od wnętrza pomieszczenia



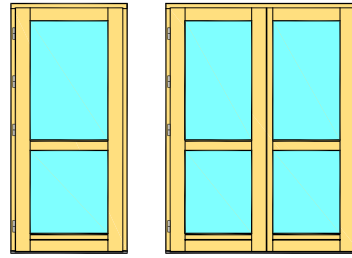
Widoki od strony elewacji

B-B



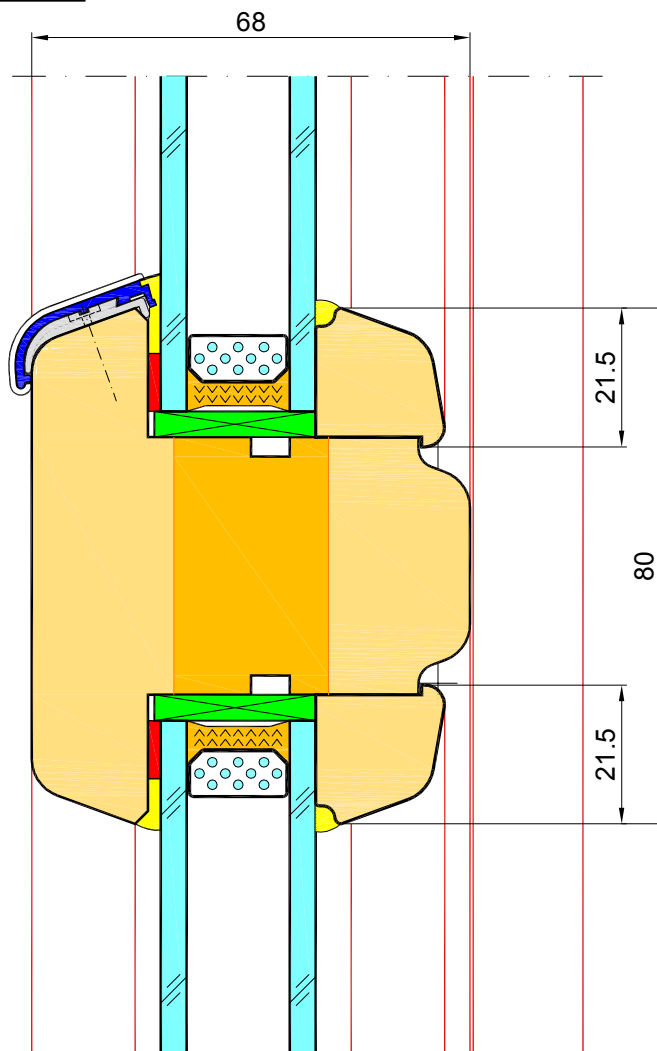


Widoki od wnętrza pomieszczenia

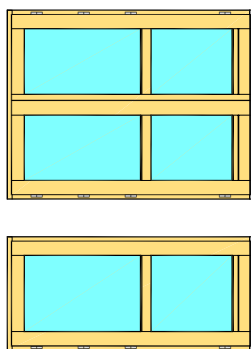


Widoki od strony elewacji

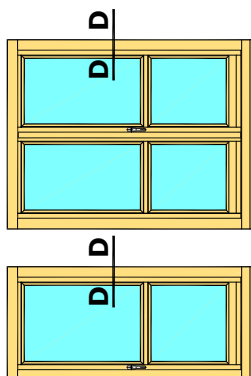
C-C



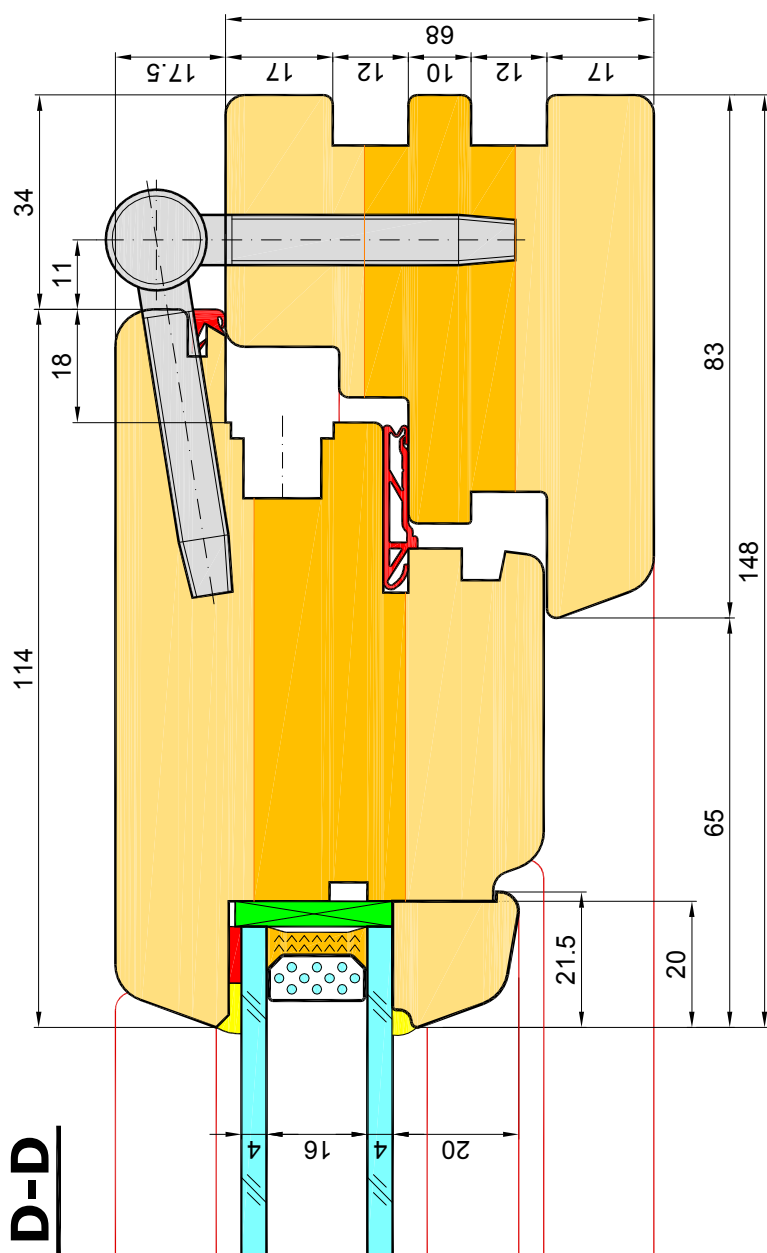
sash construction bar 80mm

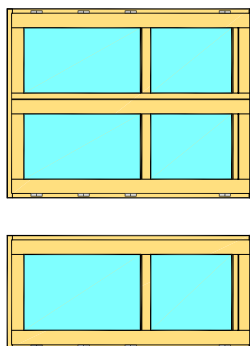


Widoki od strony elewacji

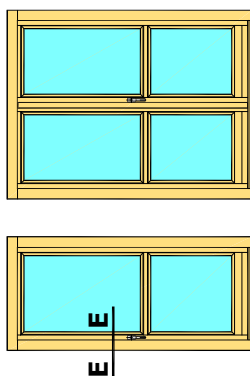


Widoki od wnętrza pomieszczenia



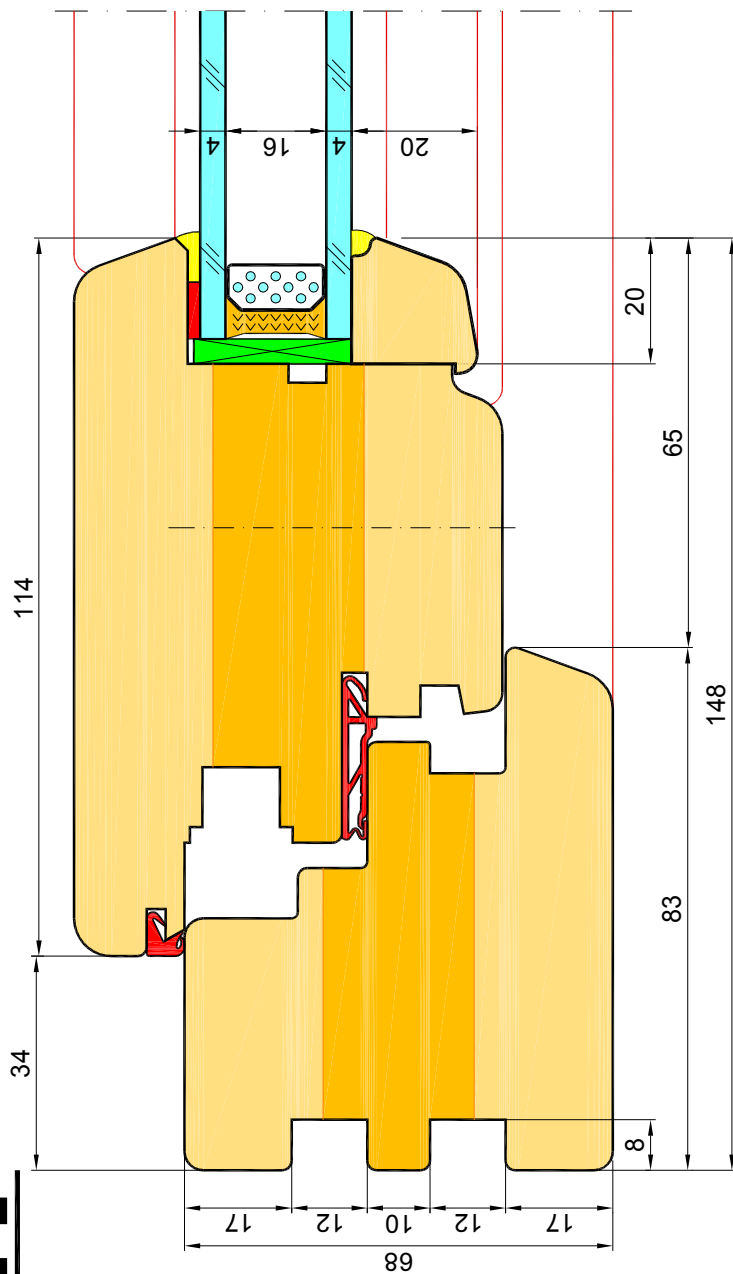


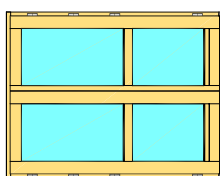
Widoki od strony elewacji



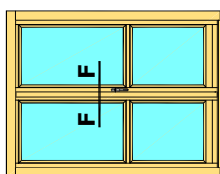
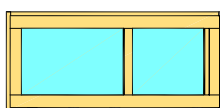
Widoki od wnętrza pomieszczenia

E-E

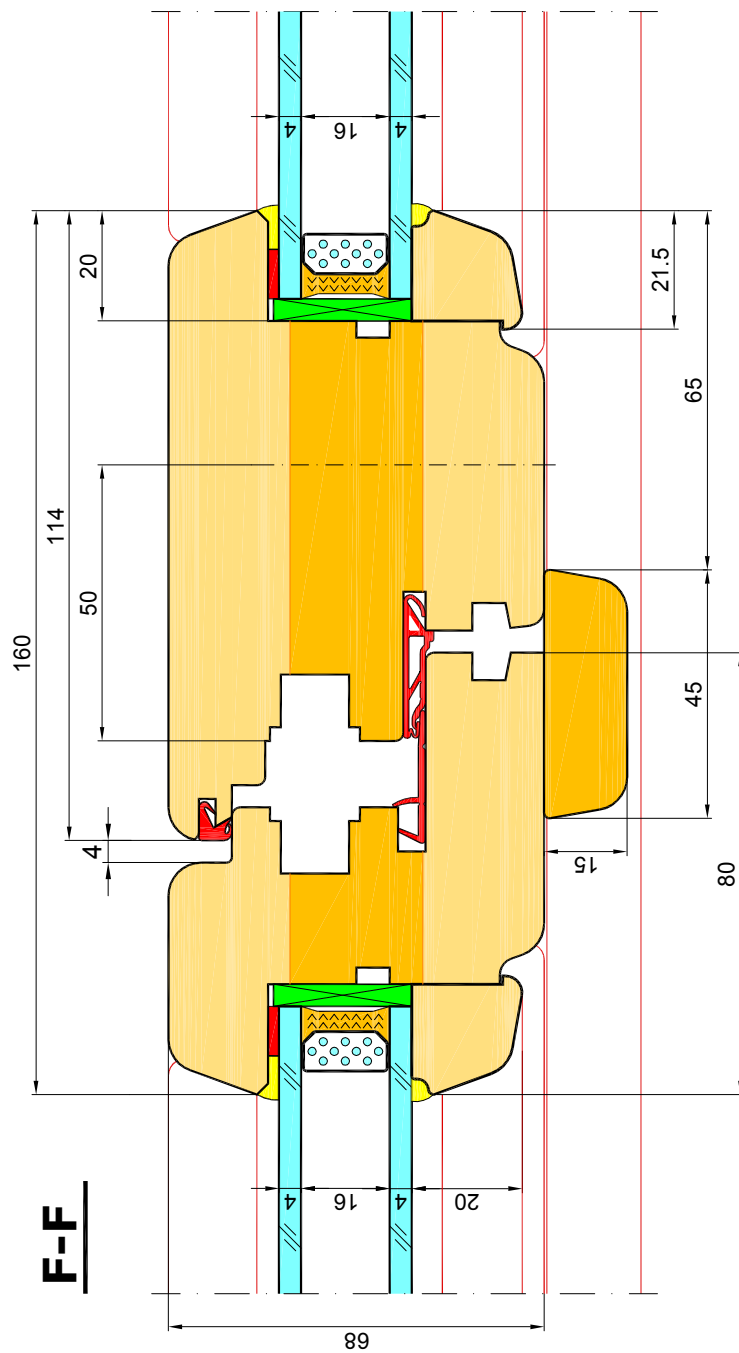
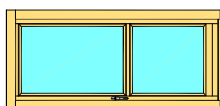


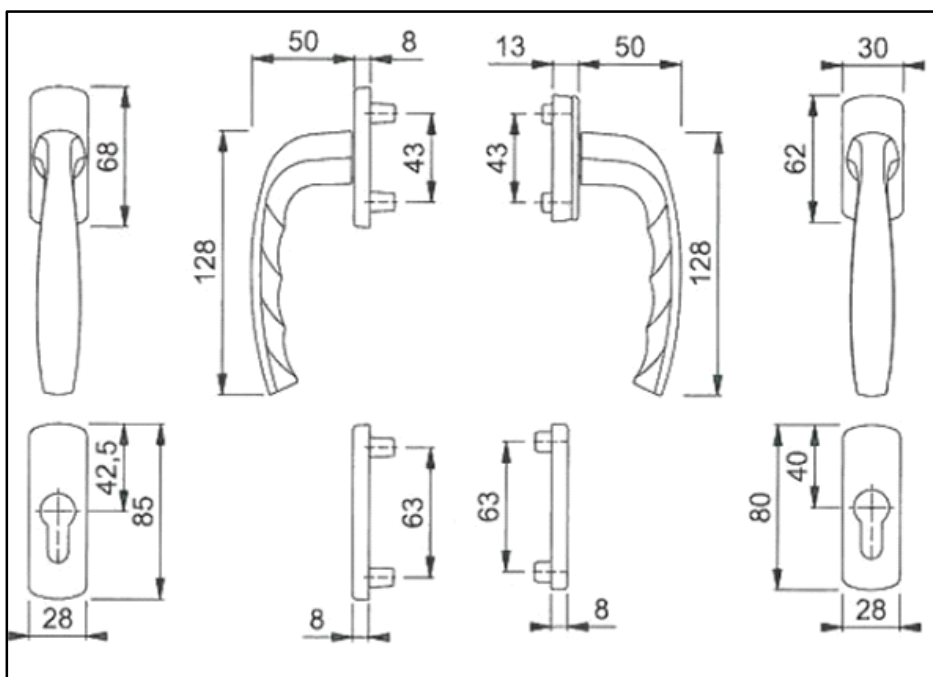
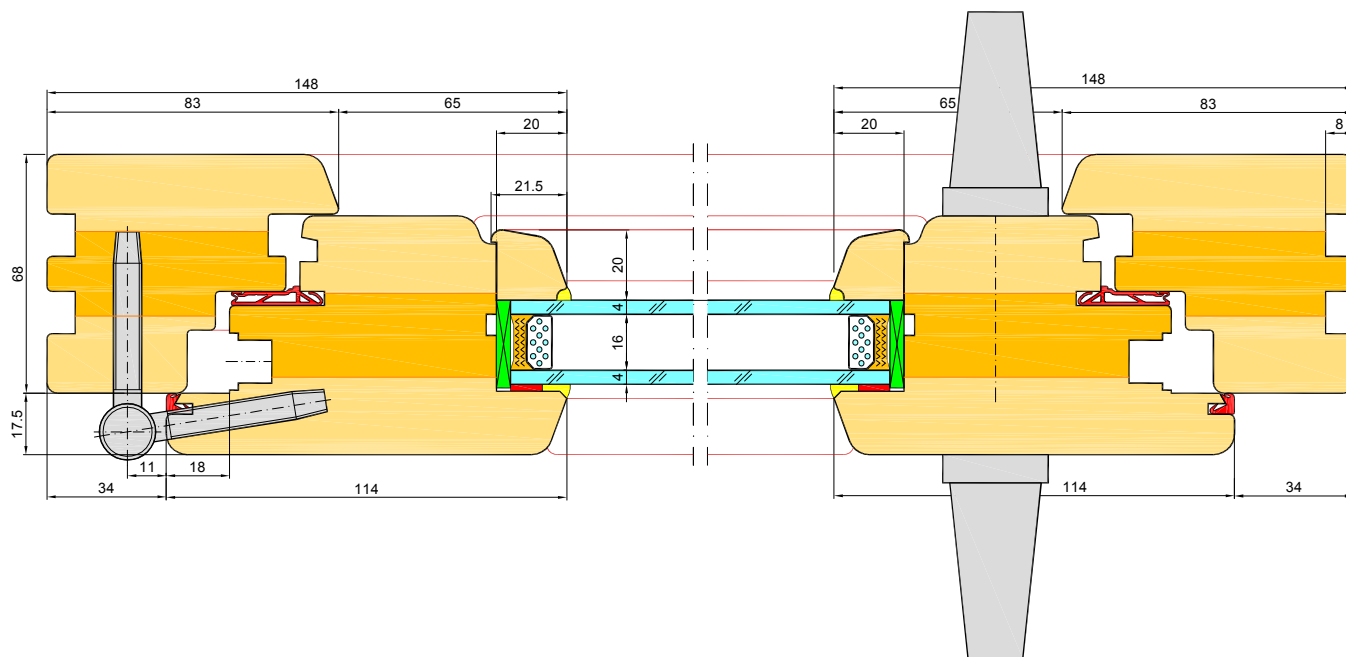


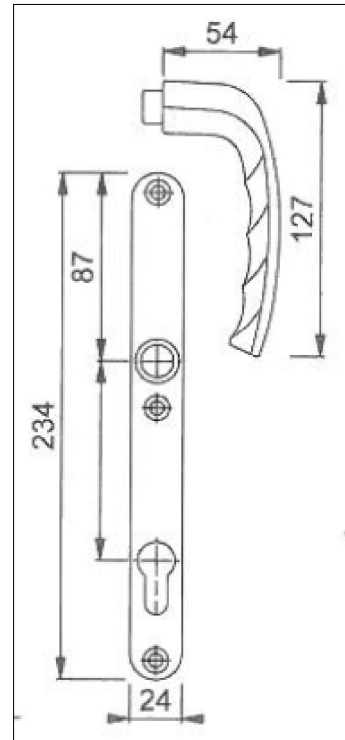
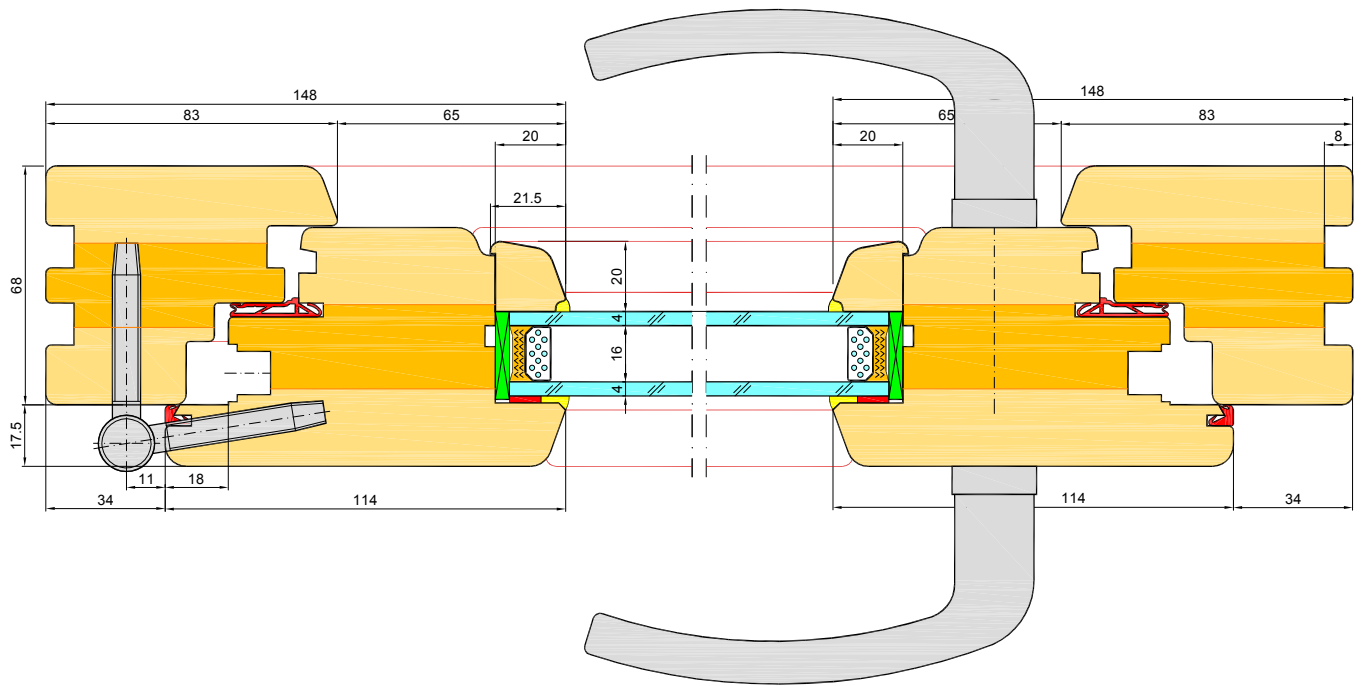
Widoki od strony elewacji

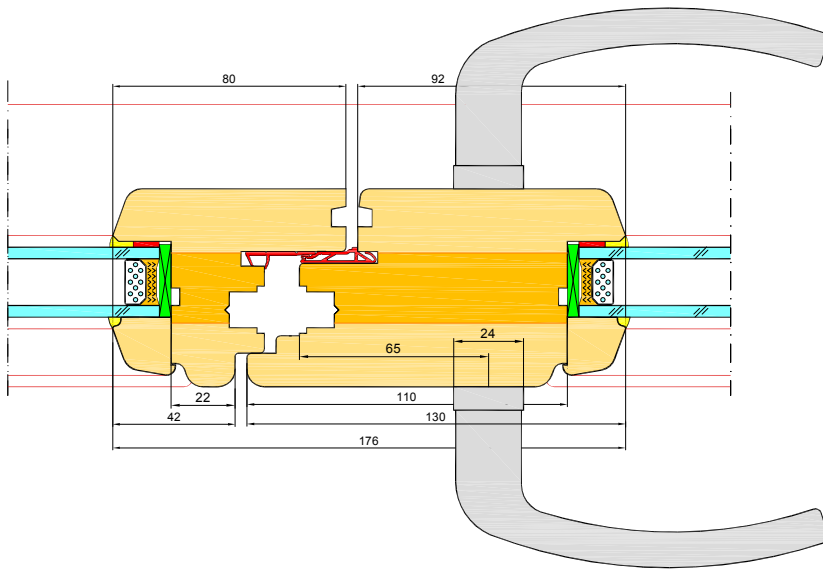


Widoki od wnętrza pomieszczenia

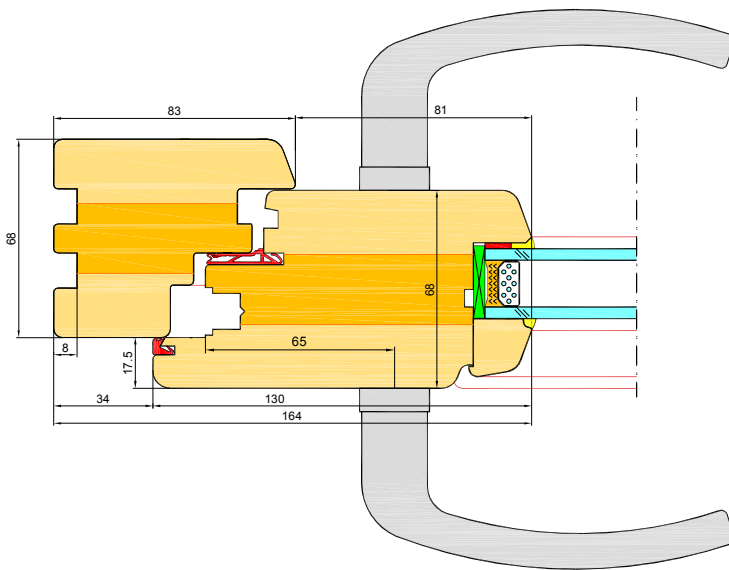




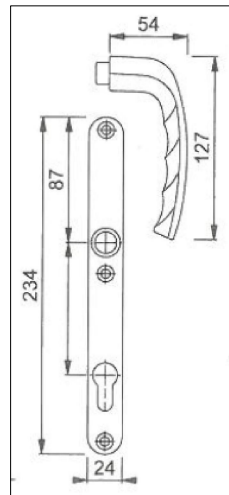




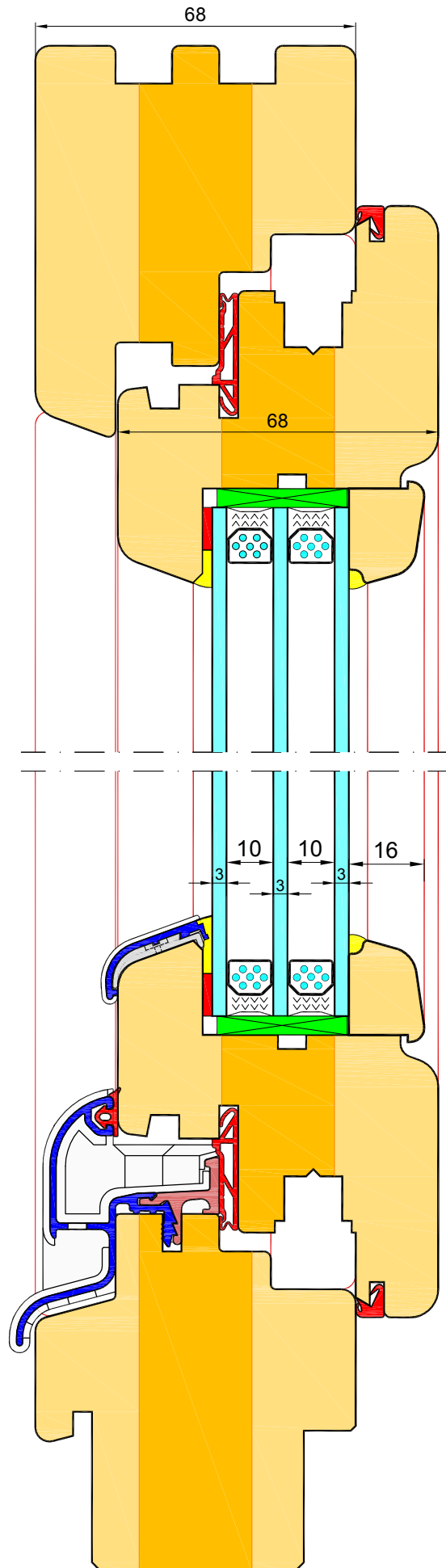
Double sash balcony doors with flying mullion



Single sash balcony doors

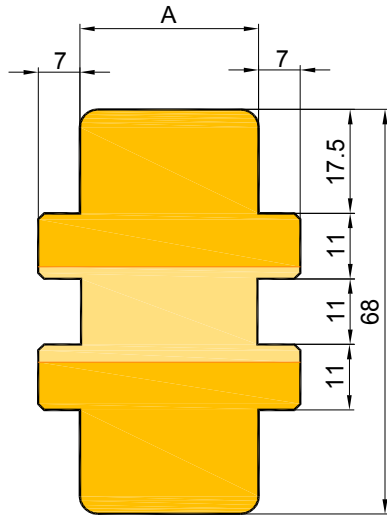


STYLE 68 - double glazing



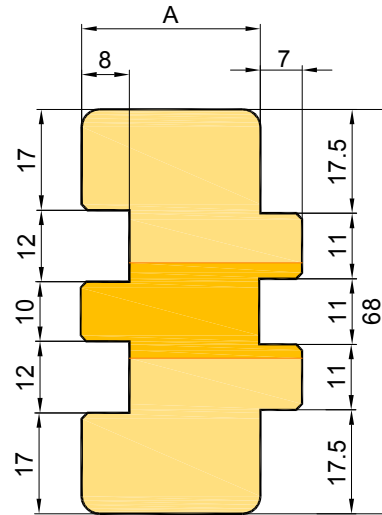
max glass area: 1.5m^2
max side glass length: 1.5m

CONNECTOR



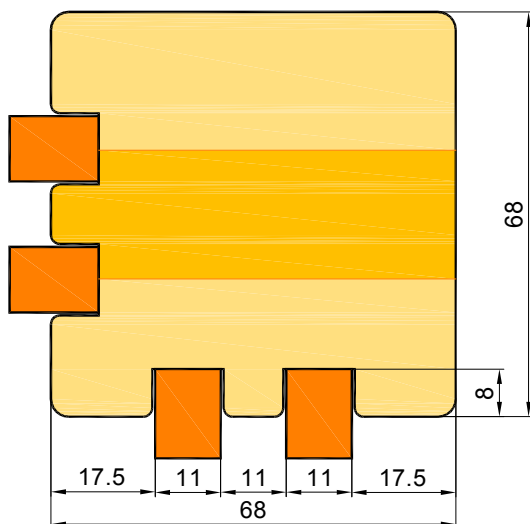
- size A: from 20mm to 130mm
size A: size as a multiple of 5mm

WIDENING

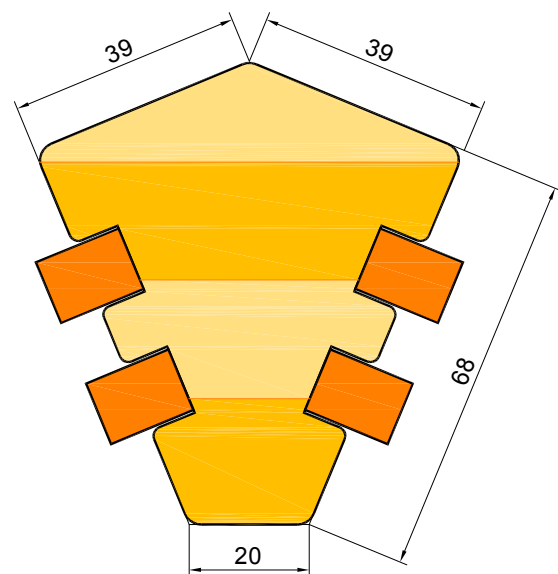


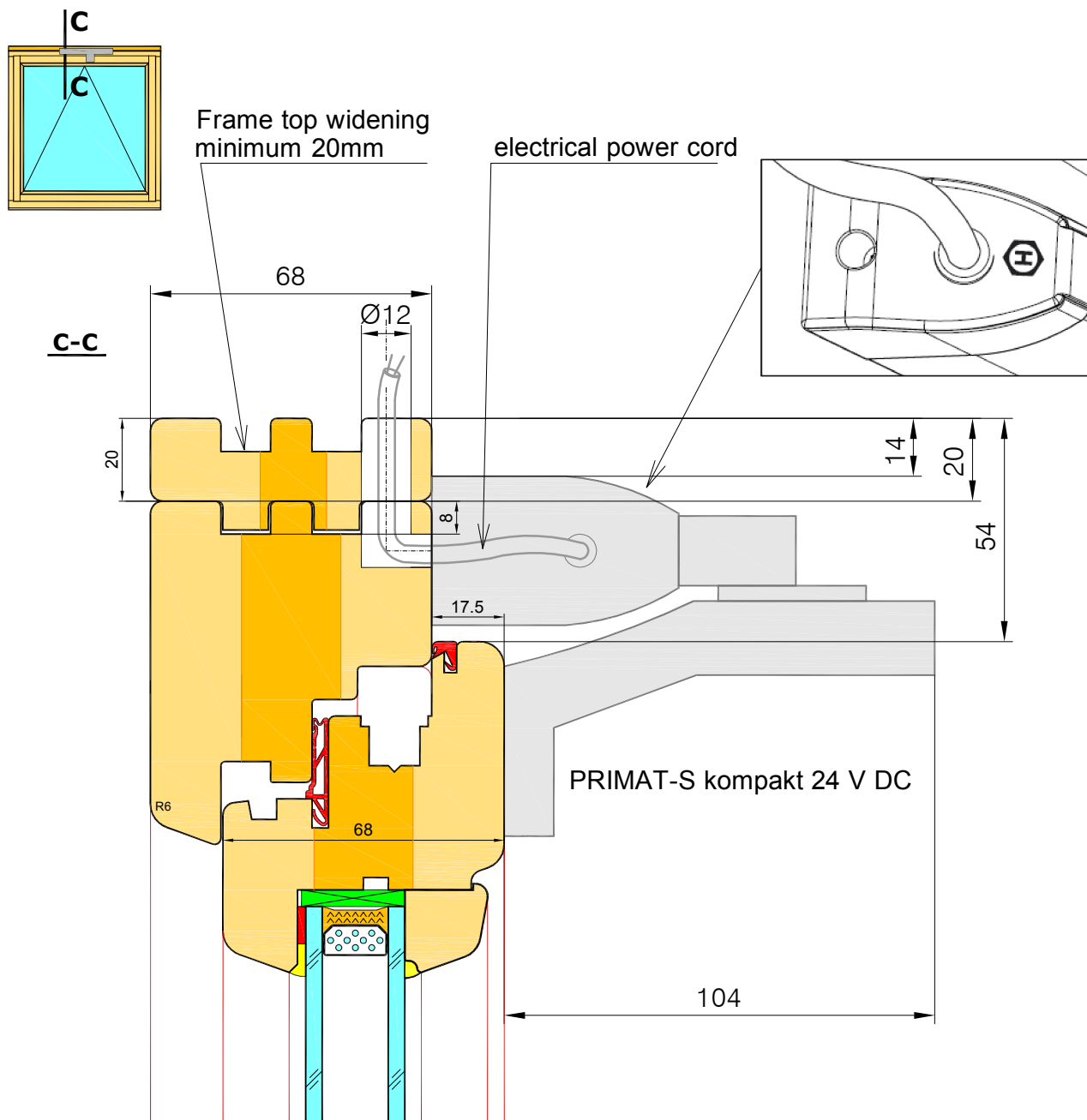
- size A: from 20mm to 130mm
size A: size as a multiple of 5mm

Corner connector 90°

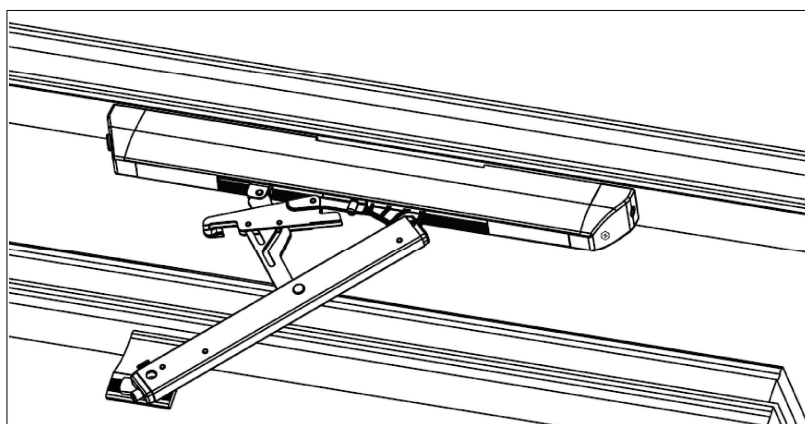


Corner connector 135°





The window sash in the tilted position.



Maximum sash weight
50kg

Location of the EMM vent in the window cross section.

